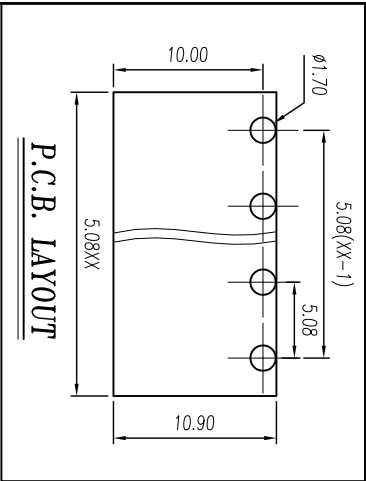




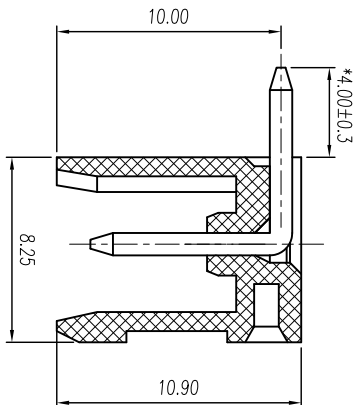
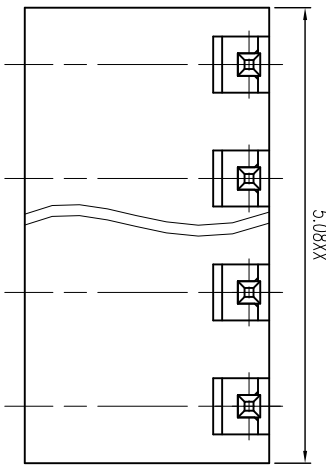
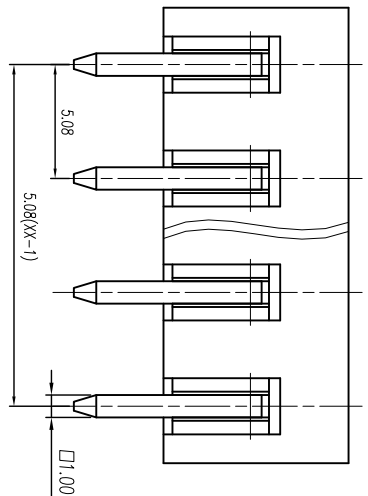
慈溪市万捷电子有限公司

CIXI WANJIE ELECTRONIC CO., LTD

产品规格书
THE SPEC SHEET



P.C.B. LAYOUT



参考标准/Standard UL IEC
 额定电压/Rated voltage 300V 450V
 额定电流/Rated current 10A 15A
 接触电阻/Contact resistance 20mΩ
 绝缘电阻/Insulation resistance 500MΩ/DC500V
 耐电压/Wrth standing voltage AC 2000V/1 Min
机械性能/Mechanical
 温度范围/Temp Range -40°C~+105°C
 瞬间温度/Temp Range +250°C 5秒

尺寸/Dimensions
 间距/Pitch 5.08mm
 极数/Poles 2-24p
材料及电镀/Material
 塑件/Housing PA66, UL94V-0
 焊脚/Pin header Brass, Tin plated

variable range	tolerance	±0.1	±0.14	±0.19	±0.25	±0.32	±0.43	±0.57	±0.72	±0.88	±1.05	±1.25	0.5	0.025	0.06	0.12	0.4
	linear dimension (Tolerances Standard GB/T 14486-2008)	over 6 to 10	over 10 to 18	over 18 to 30	over 30 to 50	over 50 to 80	over 80 to 120	over 120 to 160	over 160 to 200	over 200 to 250	over 250 to 500	over 500 to 1000	over 1000 to 2000	over 2000 to 5000	over 5000 to 10000	over 10000 to 20000	over 20000 to 50000

	单位/UNITS	mm	尺寸/SIZE	A4	比例/SCALE	3:1
	名称/TITLE	慈溪市万捷电子有限公司 CIXI WANJIE ELECTRONIC CO., LTD				
HT508R-5.08-XXP-1YY-00A						