

HF9215

1/6 CRYSTAL CAN 2 FORM C HERMETICALLY SEALED ELECTROMAGNETIC RELAY



Features

- Load can be 1A 28Vd.c
- Failure rate level can be level M
- High ambient applicability
- All metal welded construction
- Fusing soldering and marked by laser

Conform to GJB65B-99 (Equivalent to MIL-PRF-39016)

AMBIENT ADAPTABILITY

Ambient grade		I	II	III
Ambient temperature		-55 °C to 85 °C	-55 °C to 85 °C	-65 °C to 125 °C
Humidity				98 %, 40 °C
Low air pressure		58.53 kPa	4.39 kPa	4.39 kPa
Sine vibration	Frequency	10 Hz to 1000 Hz	10 Hz to 2000Hz	10 Hz to 2000 Hz
	Acceleration	147 m/s ²	196 m/s ²	196 m/s ²
Shock resistance		490 m/s ²	735 m/s ²	980 m/s ²
Random vibration		—	20 (m/s ²)/Hz	20 (m/s ²)/Hz
Steady-state acceleration		147 m/s ²	490 m/s ²	490 m/s ²

CONTACT DATA

Ambient grade		I	II	III
Arrangement				2C
Contact voltage drop	Initial max.			100 mΩ
	After life max.			150 mΩ

Contact ratings

Contact load	Type	Electrical life min.
1 A 28 Vd.c.	Resistive	1 x 10 ⁵ ops
0.2 A 28 Vd.c. 200 mH	Inductive	1 x 10 ⁵ ops
0.1 A 28 Vd.c.	Lamp load	1 x 10 ⁵ ops
50 μA 50m Vd.c.	Low level	1 x 10 ⁵ ops

SPECIFICATION

Ambient grade		I	II	III
Insulation resistance min.		1000 MΩ (@ 100 Vd.c.)	1000 MΩ (@ 100 Vd.c.)	10000 MΩ (@ 100 Vd.c.)
Dielectric strength min. (Normal condition)	Between open contacts	350 Vr.m.s.	500 Vr.m.s.	500 Vr.m.s.
	Between contact & coil	350 Vr.m.s.	500 Vr.m.s.	500 Vr.m.s.
	Between contact & cover	350 Vr.m.s.	500 Vr.m.s.	500 Vr.m.s.
	Between contact group	350 Vr.m.s.	500 Vr.m.s.	500 Vr.m.s.
	Between coil & cover	350 Vr.m.s.	500 Vr.m.s.	500 Vr.m.s.
Dielectric strength min. (Low air pressure condition)		200 Vr.m.s.	300 Vr.m.s.	300 Vr.m.s.
Leakage rate max.		1 Pa·cm ³ /s	1 x 10 ⁻¹ Pa·cm ³ /s	1 x 10 ⁻³ Pa·cm ³ /s
Operate time max.		6 ms	4 ms	4 ms
Release time max.		6 ms	4 ms	4 ms
Mounting style		See the mounting dimension		
Terminals		See the terminal styles		
Work position		Random		
Weight max.		4 g		

COIL DATA

Norminal coil power	Approx.0.48W
---------------------	--------------

Coil Version

Order Number	Coil voltage		at 25 °C					-65°C to 125°C			
	Nominal voltage	Value max.	Coil resistance (1±10%) Ω	Pick-up voltage max.		Hold voltage max.	Drop-out voltage min.	Pick-up voltage max.		Hold voltage max.	Drop-out voltage min.
				I	II, III			I	II, III		
006	6	8	90	3.8	3.0	1.5	0.3	4.8	4	2.0	0.2
012	12	16	310	8.0	6.0	3.0	0.6	9.6	8.0	4.0	0.4
027	27	32	1500	18.0	13.5	10.0	1.5	21.6	18	14.0	1.0

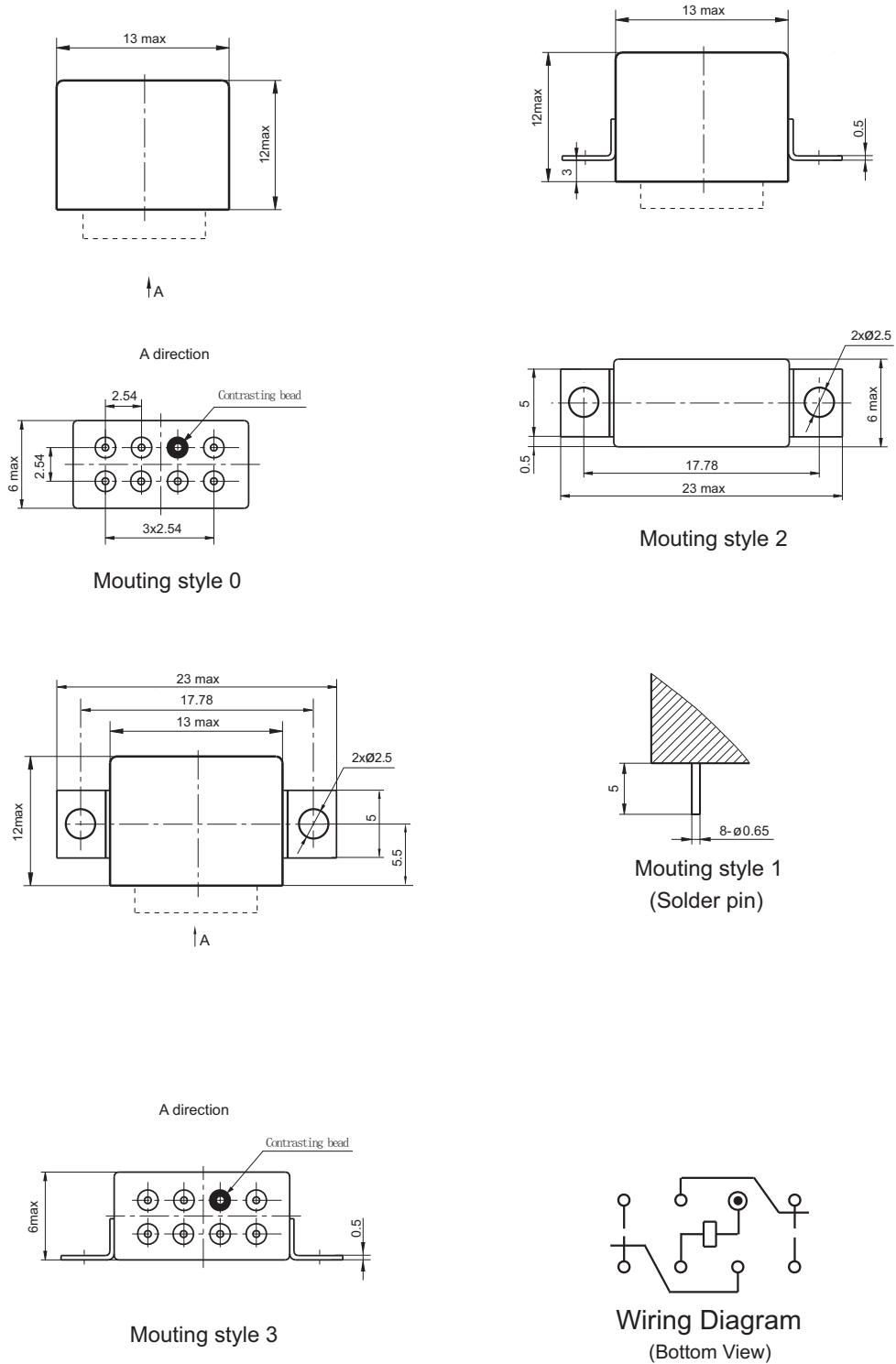
Notes: We can offer many kinds of coil voltage under the requirement of users.

ORDERING INFORMATION

Type	HF9215	-012	M	-0	1	- I
Order Number	006、012、027					
Failure Rate	L: Failure rate level L (level III products available) ¹⁾ M: Failure rate level M (level III products available) ¹⁾ Nil: Without failure rate requirement(level I ,II ,IIIproducts available)					
Mounting Style	0, 2, 3 (See the mounting dimension)					
Terminals Style	1 (See " Terminal styles " below)					
Ambient Grade	I : level I II : level II III: level III					

Notes: 1) For the failure rate of L or M ,the letter "III" of ambient grade level will not appear on relay cover.

Outline Dimension



Disclaimer

This datasheet is for the customers' reference. All the specifications are subject to change without notice.

© Xiamen Hongfa Hermetically Sealed Relays Co., Ltd. All rights of Hongfa are reserved.