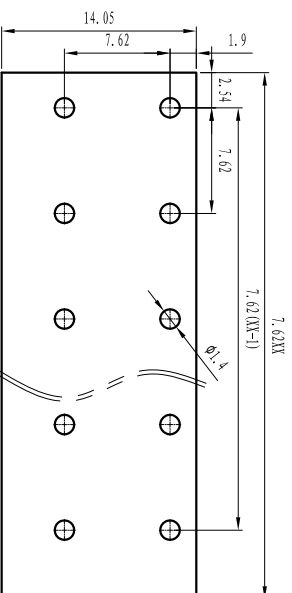
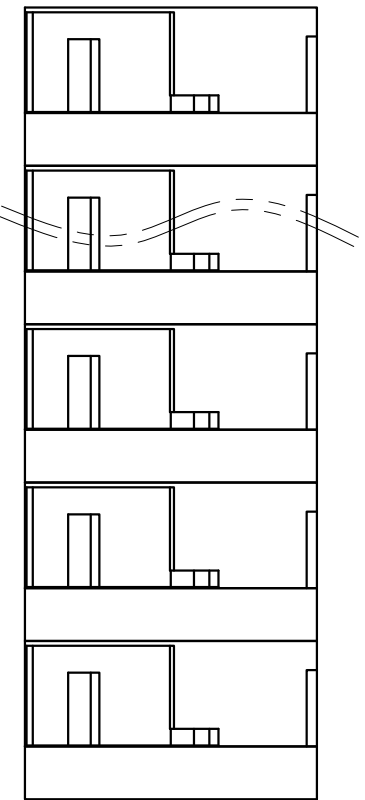


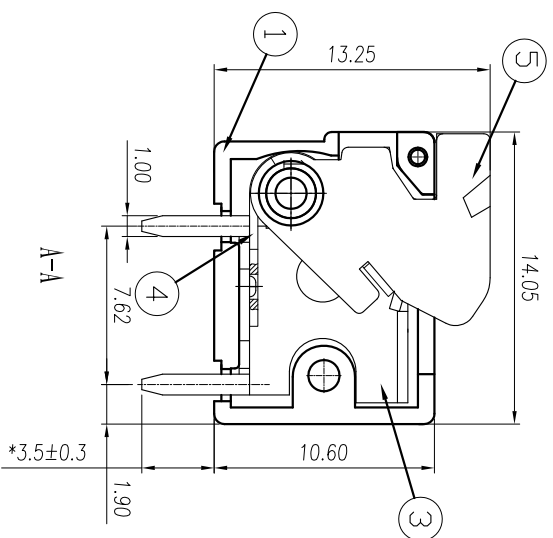
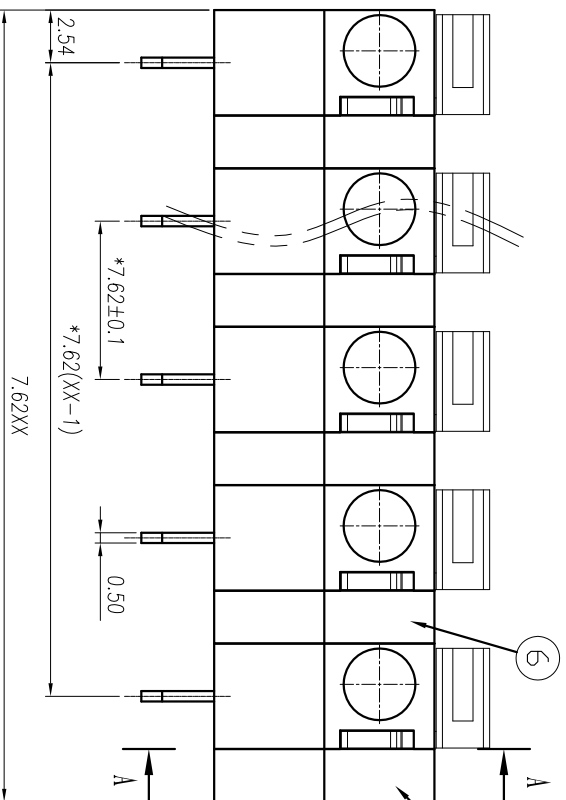


慈溪市万捷电子有限公司 CIXI WANJIE ELECTRONIC CO., LTD

产品规格书
THE SPEC SHEET



P.C.B. LAYOUT



参考标准/Standard	UL	IEC
额定电压/Rated voltage	300V	250V
额定电流/Rated current	10A	15A
接触电阻/Contact resistance	20mΩ	
绝缘电阻/Insulation resistance	500MΩ, DC500V	
耐压/With standing voltage	AC 2000V/1 Min	
使用线径/Wire range	22~16AWG	1.0mm ²
机械性能/Mechanical		
温度范围/Temp. Range	-40°C~+105°C	
瞬时温度/MAX Soldering	+250°C for 5 Sec	
剥线长度/Strip Length	10mm	
尺寸/Dimensions		
间距/Pitch	5.08mm	
极数/Poles	1-XXp	
材质及电镀/Material	PA66, UL94V-0	
塑件/Housing	Brass, Tin plated	
焊脚/Pin header	Stainless steel	
弹片/Wire guard		

linear dimension(Tolerances Standard GB/T 14486-2008)	≡	—	□	//	⊥											
tolerance	±0.1	±0.14	±0.19	±0.25	±0.32	±0.43	±0.57	±0.72	±0.88	±1.05	±1.25	0.5	0.025	0.06	0.12	0.4
variable range	6 to 10	6 to 10	10 to 18	18 to 30	30 to 50	50 to 80	80 to 120	120 to 160	160 to 200	200 to 250	250 to 300	all to 5	5 to 30	30 to 120	120 to 180	180 to 250

单位/UNITS	mm	尺寸/SIZE	A4	比例/SCALE	3:1
慈溪市万捷电子有限公司 CIXI WANJIE ELECTRONIC CO., LTD					

名称/TITLE	第三视角/THIRD ANGLE PROJECTION
MJ142R-7.62-XXP-1YY-00A	