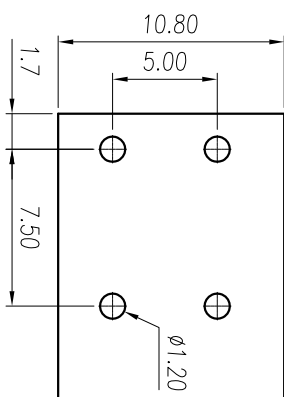
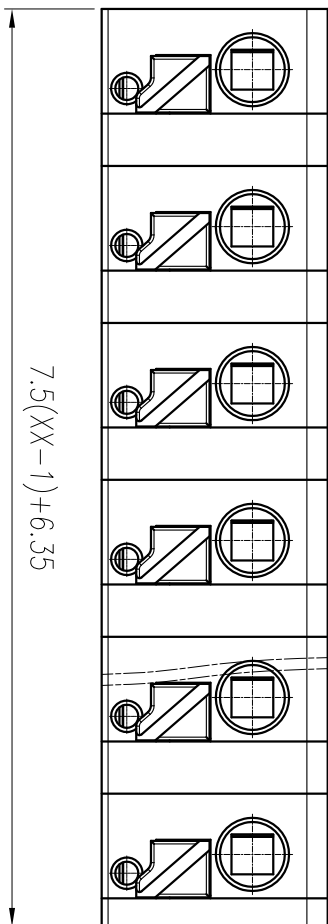


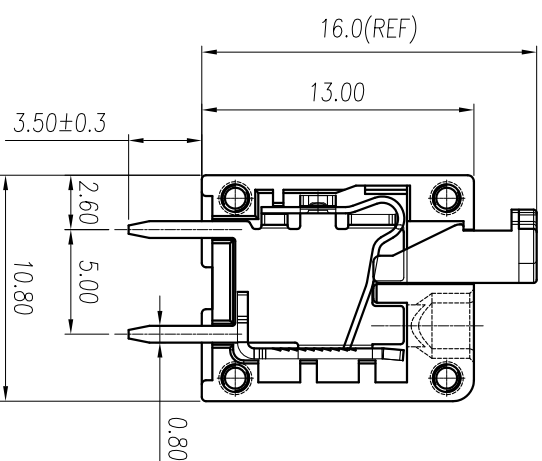
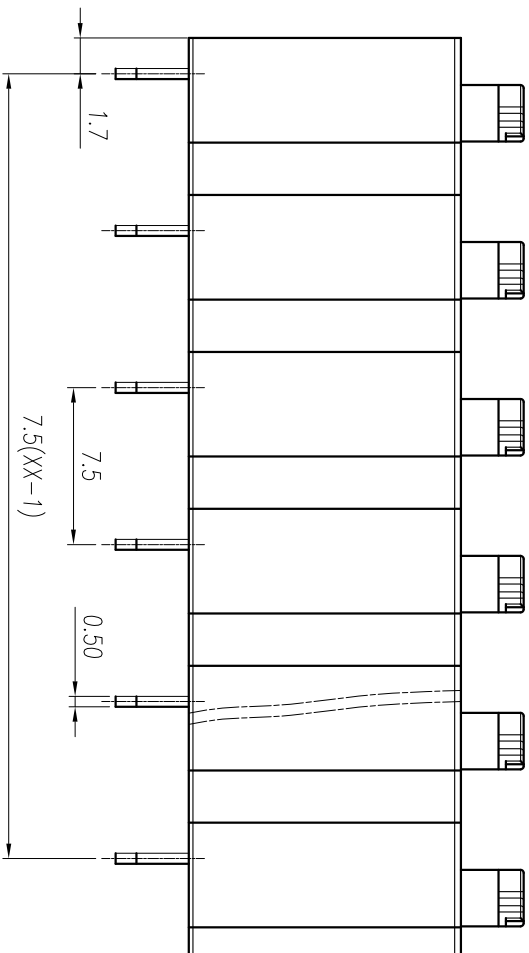
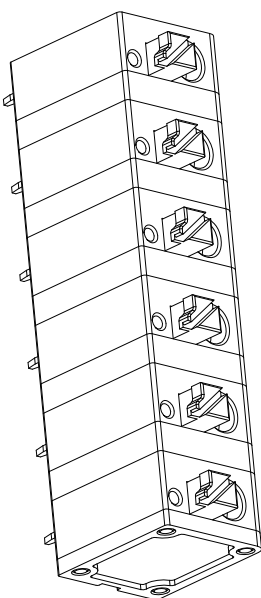


慈溪市万捷电子有限公司 CIXI WANJIE ELECTRONIC CO., LTD

产品规格书
THE SPEC SHEET



P.C.B. LAYOUT



尺寸/Dimensions

间距/Pitch: 7.5mm,
极数/Poles: 2P-24P
材料及电镀/Material
塑件/Housing: PA66, UL94V-0
焊针/Pin header: Brass, Tin plated
弹片/Strapnel: stainless steel

电气性能/Electrical

参考标准/Standard: UL IEC
额定电压/Rated voltage: 300V 250V
额定电流/Rated current: 10A 10A
接触电阻/Contact resistance: 20mΩ

使用线径/Wire range: 20-16AWG 1.0mm²
耐电压/Withstanding voltage: AC2000V/1W5in
绝缘电阻/Insulation resistance: 500MΩ/DC500V

机械性能/Mechanical

温度范围/Temp. Range: -40°C+105°C
裂线长度/Strip length: 9-10mm

linear dimension(Tolerances Standard GB/T 14486-2008)

	≡	—	□	//	⊥											
tolerance	±0.1	±0.14	±0.19	±0.25	±0.32	±0.43	±0.57	±0.72	±0.88	±1.05	±1.25	0.5	0.025	0.06	0.12	0.4
variable range	6 to 10	6 to 10	10 to 18	10 to 18	18 to 30	18 to 30	30 to 50	30 to 50	50 to 80	50 to 80	80 to 120	120 to 160	160 to 200	200 to 250	250 to 300	300 to 120

单位/UNITS	mm	尺寸/SIZE	A4	比例/SCALE	3:1
----------	----	---------	----	----------	-----



慈溪市万捷电子有限公司
CIXI WANJIE ELECTRONIC CO., LTD

第三视图/THIRD ANGLE PROJECTION



名称/TITLE	WL236-7.5-XXR-1YY-40A
----------	-----------------------