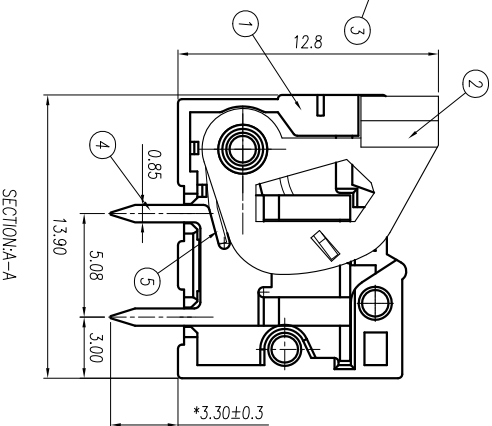
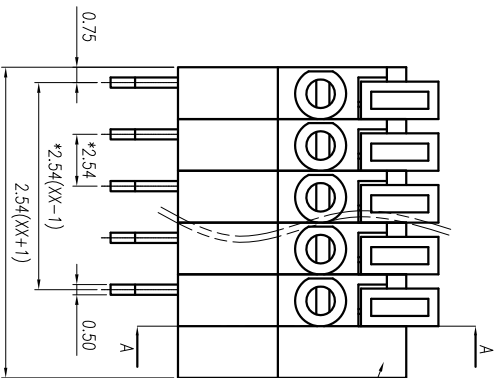
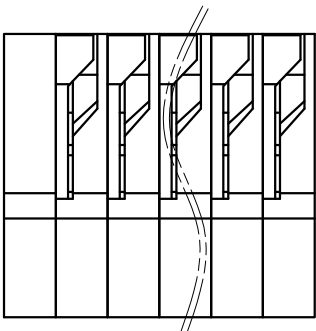
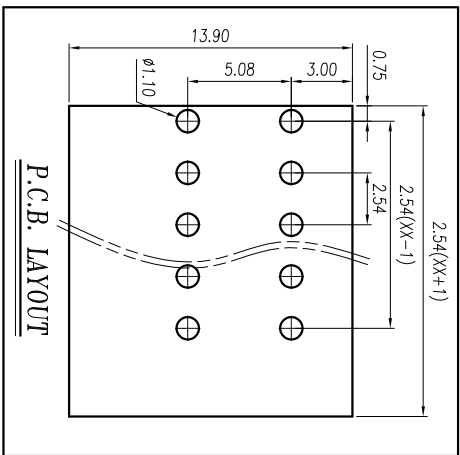




慈溪市万捷电子有限公司 CIXI WANJIE ELECTRONIC CO., LTD

产品规格书
THE SPEC SHEET



	linear dimension(Tolerances Standard GB/T 14486-2008)												≡	—	□	//	⊥
variable range	over 6 to 10	over 10 to 18	over 18 to 30	over 30 to 50	over 50 to 80	over 80 to 120	over 120 to 160	over 160 to 200	over 200 to 250	over 250 to 5	over 5 to 30	over 30 to 120	all	5	30	120	
tolerance	±0.1	±0.14	±0.19	±0.25	±0.32	±0.43	±0.57	±0.72	±0.88	±1.05	±1.25	0.5	0.025	0.06	0.12	0.4	

参考标准/Standard	UL	IEC
额定电压/Rated voltage	150V	130V
额定电流/Rated current	2A	6A
接触电阻/Contact resistance	20mΩ	
绝缘电阻/Insulation resistance	500MΩ/DC500V	
使用线径/Wire range	26~20AWG	0.5mm ²
耐电压/Wrth standing voltage	AC1300V/1 Min	
机械性能/Mechanical		
剥线长度/Steip Length	11mm	
温度范围/Temp.Range	-40°C~+105°C	
瞬时温度/MAX Soldering	+250°C, for 5 Sec	
尺寸/Dimensions		
间距/Pitch	2.54mm	
极数/Poles	1-XXp	
材质及电镀/Material	PA66, UL94V-0	
塑件/Housing	Stainless steel	
弹片/Shrapnel	Brass, Tin plated	
焊脚/Pin header		

单位/UNITS	mm	尺寸/SIZE	A4	比例/SCALE	3:1
慈溪市万捷电子有限公司 CIXI WANJIE ELECTRONIC CO., LTD					
名称/TITLE	第三视角/THIRD ANGLE PROJECTION 				
WJ141R-2.54-XXP-1YY-00A					