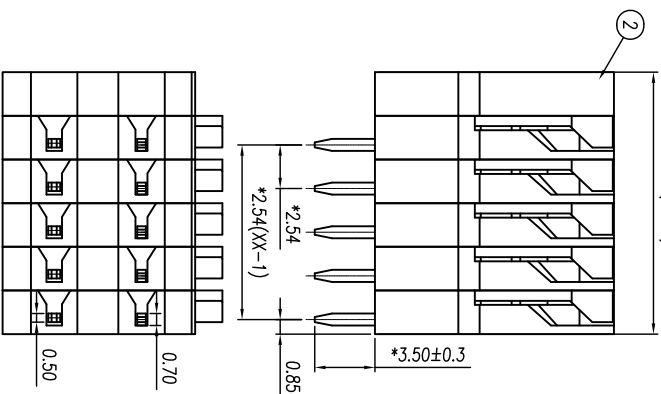
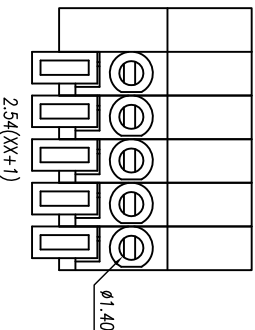
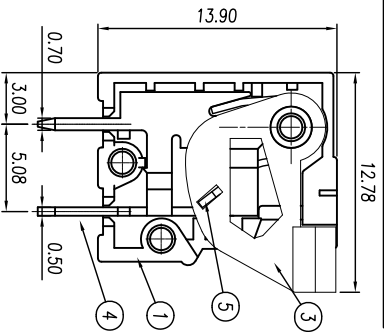
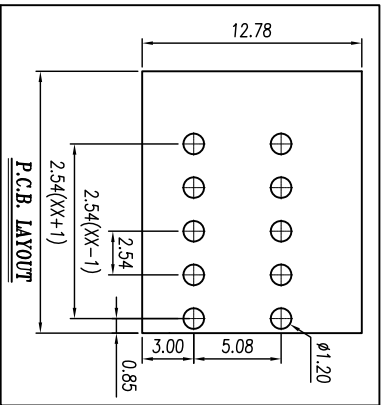




慈溪市万捷电子有限公司 CIXI WANJIE ELECTRONIC CO., LTD

产品规格书
THE SPEC SHEET



linear dimension	Tolerances Standard GB/T 14486-2008															
variable range	over 6 to 10	over 10 to 18	over 18 to 30	over 30 to 50	over 50 to 80	over 80 to 120	over 120 to 160	over 160 to 200	over 200 to 250	over 250 to 500	all	over 5 to 30	over 30 to 120			
tolerance	±0.1	±0.14	±0.19	±0.25	±0.32	±0.43	±0.57	±0.72	±0.88	±1.05	±1.25	0.5	0.025	0.06	0.12	0.4

参考标准/Standard	UL	IEC
额定电压/Rated voltage	150V	130V
额定电流/Rated current	2A	6A
接触电阻/Contact resistance	20mΩ	
绝缘电阻/Insulation resistance	500MΩ/DC500V	
耐电压/With standing voltage	AC1300V/1 Min	
使用线径/Wire range	26~20AWG	0.5mm ²

机械性能/Mechanical

温度范围/Temp. Range	-40°C~+105°C
瞬时温度/MAX Soldering	+250°C for 5 Sec
剥线长度/Strip Length	11mm

尺寸/Dimensions

间距/Pitch	2.54mm
极数/Poles	1-XXP

材料及电镀/Material

塑件/Housing	PA66, UL94V-0
焊脚/Pin header	Brass, Tin plated
弹片/Wire guard	Stainless steel

单位/UNITS	mm	尺寸/SIZE	A4	比例/SCALE	2:3:1
名称/TITLE	WJ141V-2.54-XXP-1YY-00A				



慈溪市万捷电子有限公司
CIXI WANJIE ELECTRONIC CO., LTD

第三视图/THIRD ANGLE PROJECTION