



慈溪市万捷电子有限公司

CIXI WANJIE ELECTRONIC CO., LTD

产品规格书
product specification

电气性能/Electrical

参考标准/Standard: UL IEC
 额定电压/Rated voltage: 300V 320V
 额定电流/Rated current: 15A 20A
 接触电阻/Contact resistance: 20m Ω

耐电压/Withstanding voltage: AC2000V/1Min

绝缘电阻/Insulation resistance: 500M Ω /DC500V

机械性能/Mechanical

温度范围/Temp.Range: -40 $^{\circ}$ C \sim +105 $^{\circ}$ C

瞬间温度/MAX Soldering: +250 $^{\circ}$ C, for 5 Sec

尺寸/Dimensions

间距/Pitch: 7.5mm, 7.62mm

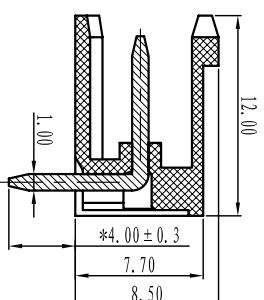
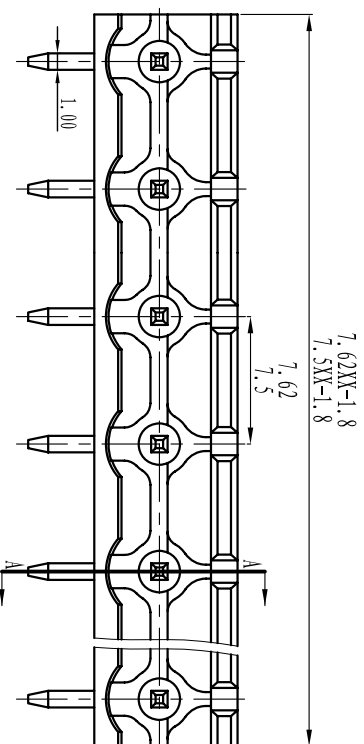
极数/Poles: 2P-24P

材料及电镀/Material

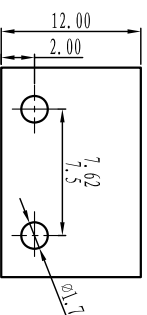
塑件/Housing: PA66, UL94V-0

焊针/Pin header: Brass, Tin plated

螺母/Nut: M2.5 Brass



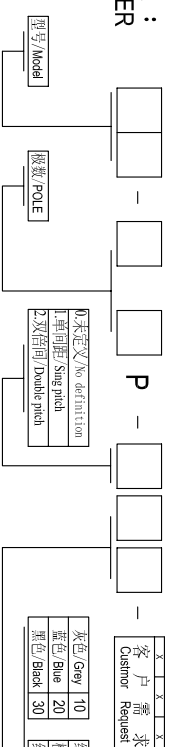
SECTION A-A



TOLERANCES EXCEPT AS NOTED

	linear dimension			fillet	chamfer	短角	短角侧边	倒角	倒角侧边	公差	公差	公差
variable range	6 to	30 to	120 to	all	6 to	10 to	50 to	all	5 to	5 to	30 to	120 to
tolerance	± 0.1	± 0.2	± 0.3	± 0.2	± 0.5	1°	30'	20'	0.5	0.025	0.06	0.12

订购方式: HOW TO ORDER



灰色/Gray	10	绿色/Green	40	透明/Transparent	70
蓝色/Blue	20	橙色/Orange	50	黄色/Yellow	80
黑色/Black	30	红色/Red	60	白色/White	90

单位/UNITS	尺寸/SIZE	A4	比例/SCALE
----------	---------	----	----------

第一视角/FIRST ANGLE PROJECTION



慈溪市万捷电子有限公司
CIXI WANJIE ELECTRONIC CO., LTD

名称/NAME WJ2BDGR-XXP-11Y-00A