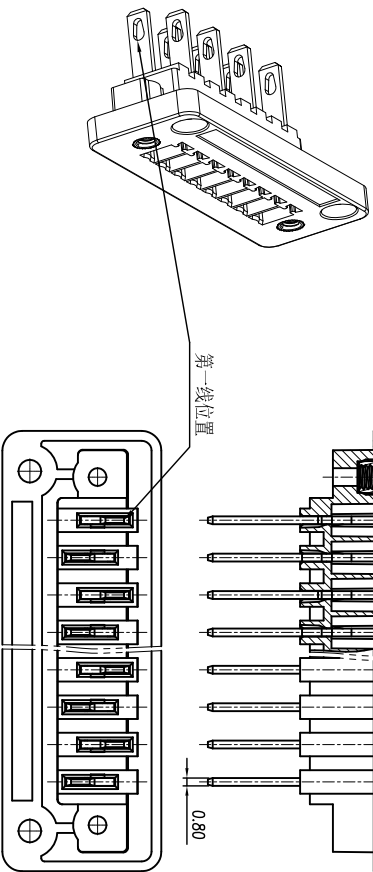
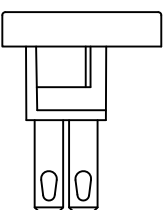
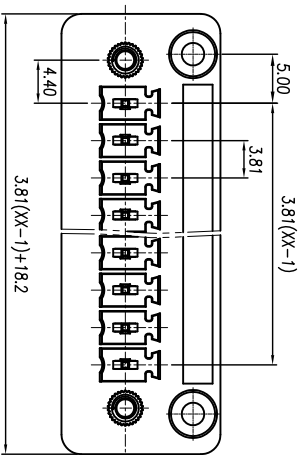
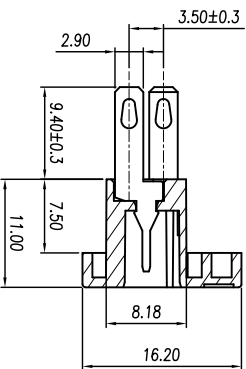
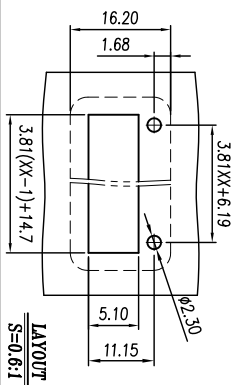




# 慈溪市万捷电子有限公司 CIXI WANJIE ELECTRONIC CO., LTD

产品规格书  
THE SPEC SHEET



参考标准/Standard	UL	IEC
额定电压/Rated voltage	300V	250V
额定电流/Rated current	8A	10A
接触电阻/Contact resistance	20mΩ	
绝缘电阻/Insulation resistance	500MΩ/DC500V	
耐电压/Wth standing voltage	AC 2000V/1 Min	
机械性能/Mechanical		
瞬时温度/MAX Soldering	+250°C for 5 Sec	
温度范围/Temp. Range	-40°C~+105°C	
尺寸/Dimensions		
间距/Pitch	3.81mm	
极数/Poles	2-24p	
材质及电镀/Material		
塑件/Housing	PA66, UL94V-0	
螺母/Nut	M2.5, Brass	
焊针/Pin header	Brass, Tin plated	

	linear dimension(Tolerances Standard GB/T 14486-2008)												≡	—	□	//	⊥
tolerance	±0.1	±0.14	±0.19	±0.25	±0.32	±0.43	±0.57	±0.72	±0.88	±1.05	±1.25	0.5	0.025	0.06	0.12	0.4	
variable range	6 to	6 to	10 to	10 to	18 to	30 to	50 to	80 to	120 to	160 to	200 to	250 to	all to	5 to	5 to	30 to	120 to

单位/UNITS	mm	尺寸/SIZE	A4	比例/SCALE	2:1
----------	----	---------	----	----------	-----

名称/TITLE	第三视图/THIRD ANGLE PROJECTION
	WJ150303M-3.81-XXP-1YV-00A



慈溪市万捷电子有限公司  
CIXI WANJIE ELECTRONIC CO., LTD