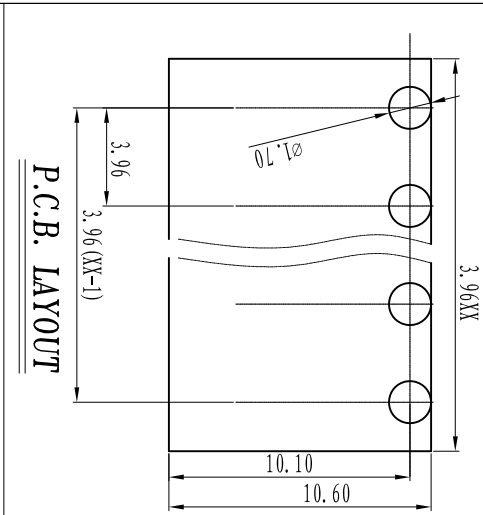




# 慈溪市万捷电子有限公司 CIXI WANJIE ELECTRONIC CO., LTD

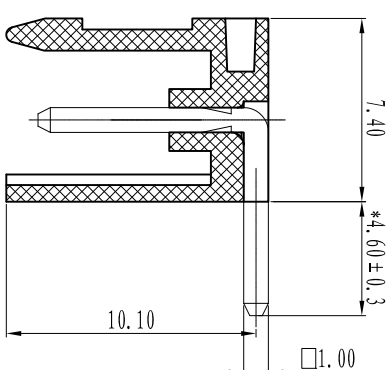
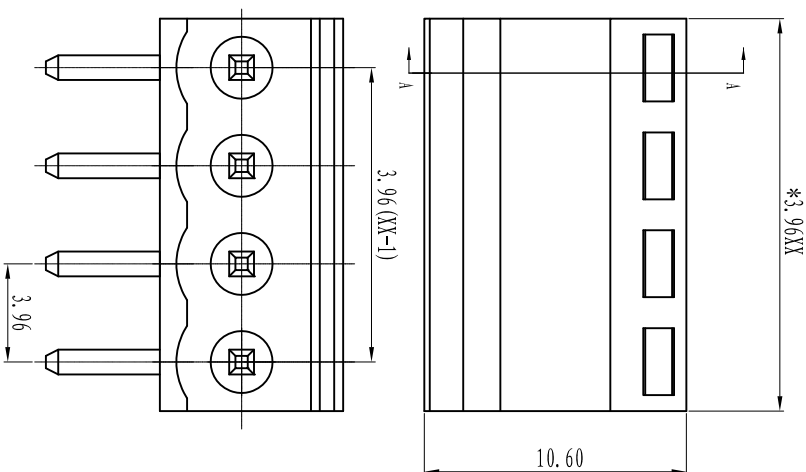
产品规格书  
THE SPEC SHEET



**P.C.B. LAYOUT**

参考标准/Standard  
 额定电压/Rated voltage  
 额定电流/Rated current  
 接触电阻/Contact resistance  
 绝缘电阻/Insulation resistance  
 耐电压/With standing voltage  
 机械性能/Mechanical  
 温度范围/Temp Range  
 瞬时温度/MAX Soldering  
 尺寸/Dimensions  
 间距/Pitch  
 极数/Poles  
 材质及电镀/Material  
 塑件/Housing  
 焊脚/Pin header

UL  
 300V  
 8A  
 20m $\Omega$   
 500 $\Omega$ /DC500V  
 AC 2000V/1 Min  
 -40°C~+105°C  
 +250°C for 5 Sec  
 3.96mm  
 2~24p  
 PA66, UL94V-0  
 Brass, Sn plated



SECTION A-A

linear dimension	Tolerances Standard GB/T 14486-2008										
tolerance	±0.1	±0.14	±0.19	±0.25	±0.32	±0.43	±0.57	±0.72	±0.88	±1.05	±1.25
variable range	6 to	6 to	10 to	10 to	18 to	30 to	30 to	50 to	50 to	80 to	80 to
tolerance	±0.1	±0.14	±0.19	±0.25	±0.32	±0.43	±0.57	±0.72	±0.88	±1.05	±1.25

单位/UNITS	mm	尺寸/SIZE	A4	比例/SCALE	4:1
第三视图/THIRD ANGLE PROJECTION					
名称/TITLE	HT396P 3.96XP-1YY-00A				

慈溪市万捷电子有限公司  
CIXI WANJIE ELECTRONIC CO., LTD