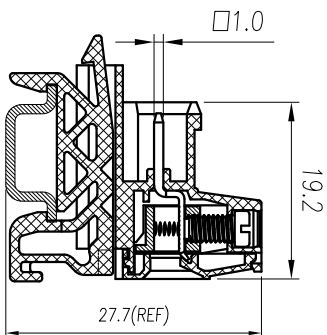
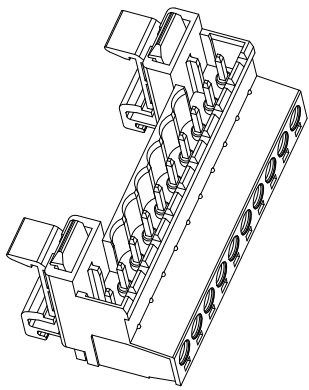
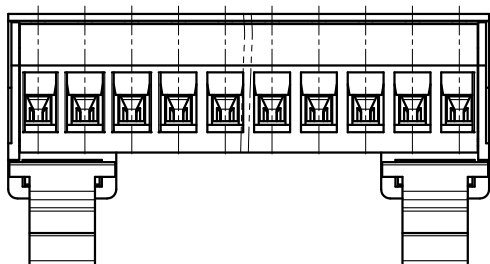
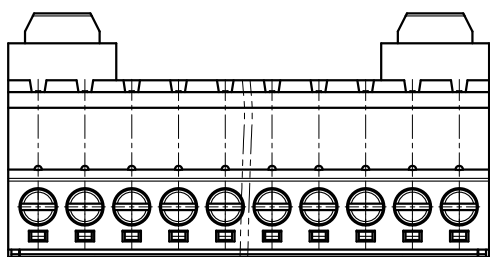
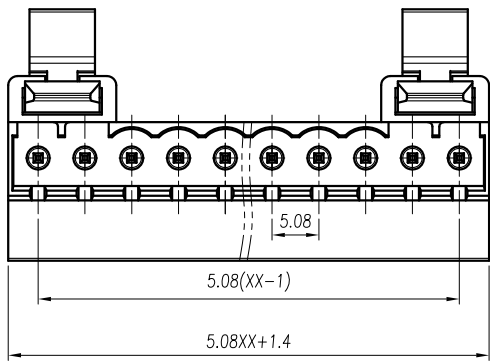




慈溪市万捷电子有限公司 CIXI WANJIE ELECTRONIC CO., LTD

产品规格书
THE SPEC SHEET



tolerance	±0.1	±0.14	±0.19	±0.25	±0.32	±0.43	±0.57	±0.72	±0.88	±1.05	±1.25	0.5	0.025	0.06	0.12	0.4
variable range	6 to	6 to 10	10 to 18	18 to 30	30 to 50	50 to 80	80 to 120	120 to 160	160 to 200	200 to 250	250 to	all	5 to	5 to 30	30 to 120	120 to
linear dimension	over	over	over	over	over	over	over	over	over	over	over	≡	—	□	∥	⊥
	Tolerances Standard GB/T 14486-2008)															

参考标准/Standard

额定电压/Rated voltage

额定电流/Rated current

接触电阻/Contact resistance

绝缘电阻/Insulation resistance

使用线径/Wire range

耐电压/Wrth standing voltage

机械性能/Mechanical

扭矩/Torque

剥线长度/Strip Length

温度范围/Temp. Range

尺寸/Dimensions

间距/Pitch

极数/Poles

材质及电镀/Material

塑件/Housing

螺丝/Screws

方针/Pin header

方块/Cage

UL IEC

300V 450V

15A 20A

20mΩ

500MΩ/DC500V

28~14AWG 2.5mm²

AC 2000V/1 Min

0.5Nm(4.5Lb.in)

7-8mm

-40°C~+105°C

5.08mm

6-24p

PA66, UL94V-0

M3 Steel, Zn plated

Brass, Tin plated

Brass, Ni plated

单位/UNITS mm 尺寸/SIZE A4 比例/SCALE 1:5.1

第三视图/THIRD ANGLE PROJECTION



慈溪市万捷电子有限公司
CIXI WANJIE ELECTRONIC CO., LTD

名称/TITLE WJ2EDGRK-5.08-XXP-1YY-00A