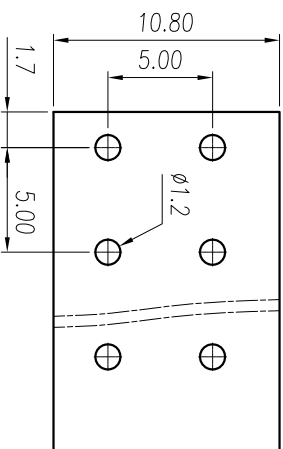
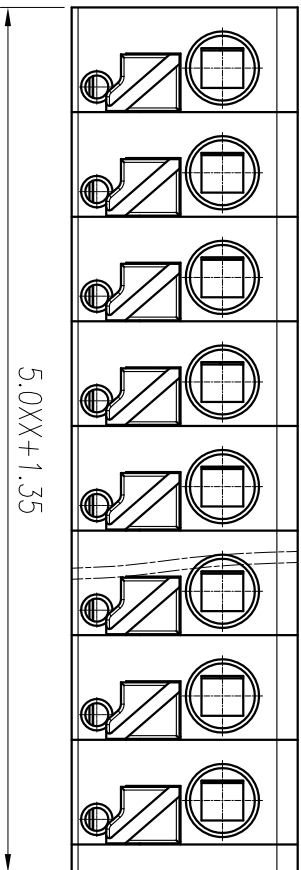


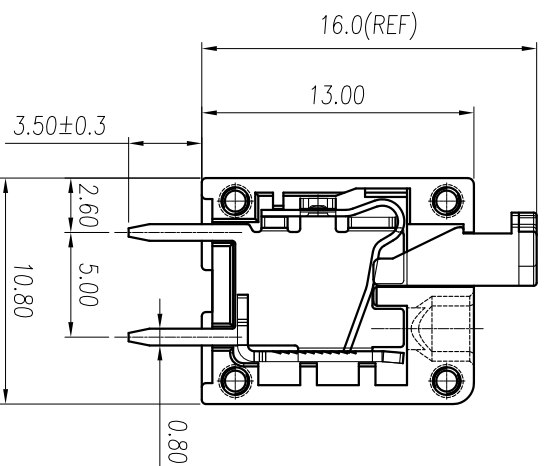
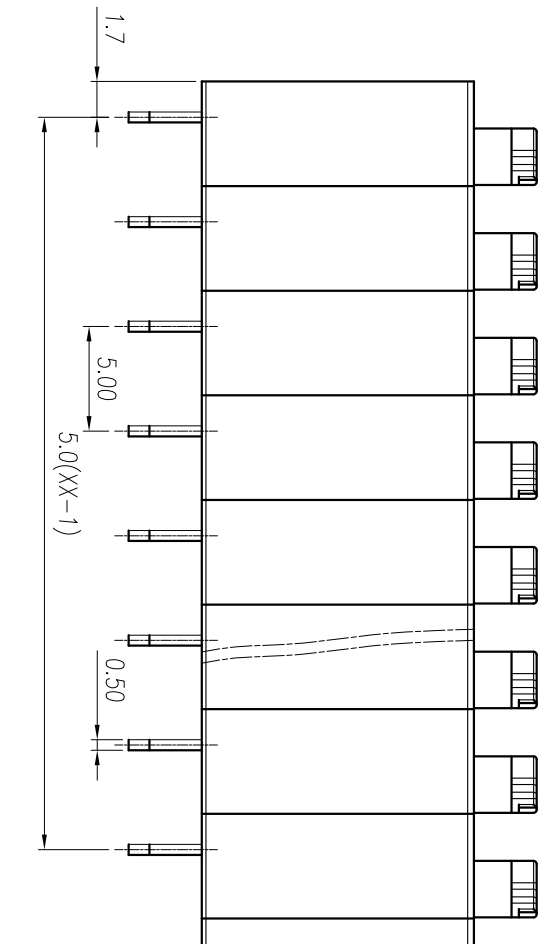
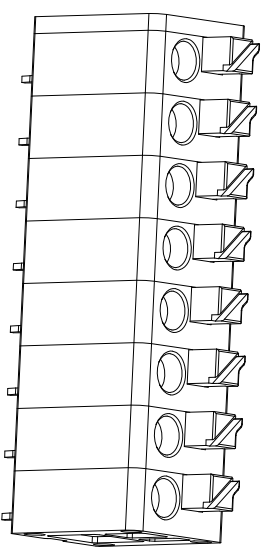


慈溪市万捷电子有限公司 CIXI WANJIE ELECTRONIC CO., LTD

产品规格书
THE SPEC SHEET



P.C.B. LAYOUT



尺寸/Dimensions

- 间距/Pitch: 5.0mm
- 极数/Poles: 2P-24P
- 材料及电镀/Material
塑料/Housing: PA66, UL94V-0
- 焊针/Pin header: Brass, Tin plated
- 弹片/Strapnel: stainless steel

电气性能/Electrical

- 参考标准/Standard: UL IEC
- 额定电压/Rated voltage: 300V 250V
- 额定电流/Rated current: 10A 10A
- 接触电阻/Contact resistance: $20m\Omega$
- 使用线径/Wire range: 20-16AWG 1.0mm²
- 耐电压/Withstanding voltage: AC2000V/1W/1h
- 绝缘电阻/Insulation resistance: 500M Ω /DC500V
- 机械性能/Mechanical
- 温度范围/Temp. Range: -40 °C+105 °C
- 裂线长度/Strip length: 9-10mm

variable range	tolerance	±0.1	±0.14	±0.19	±0.25	±0.32	±0.43	±0.57	±0.72	±0.88	±1.05	±1.25	0.5	0.025	0.06	0.12	0.4										
	tolerance	6 to	6 to	10 to	10 to	18 to	18 to	30 to	30 to	50 to	50 to	80 to	80 to	120 to	120 to	160 to	160 to	200 to	200 to	250 to	250 to	all	5 to	5 to	30 to	30 to	120 to

linear dimension(Tolerances Standard GB/T 14486-2008)

单位/UNITS mm 尺寸/SIZE A4 比例/SCALE 3:1



慈溪市万捷电子有限公司
CIXI WANJIE ELECTRONIC CO., LTD

第三视图/THIRD ANGLE PROJECTION



名称/TITLE WJ236-5.0-XXP-1YY-00A