

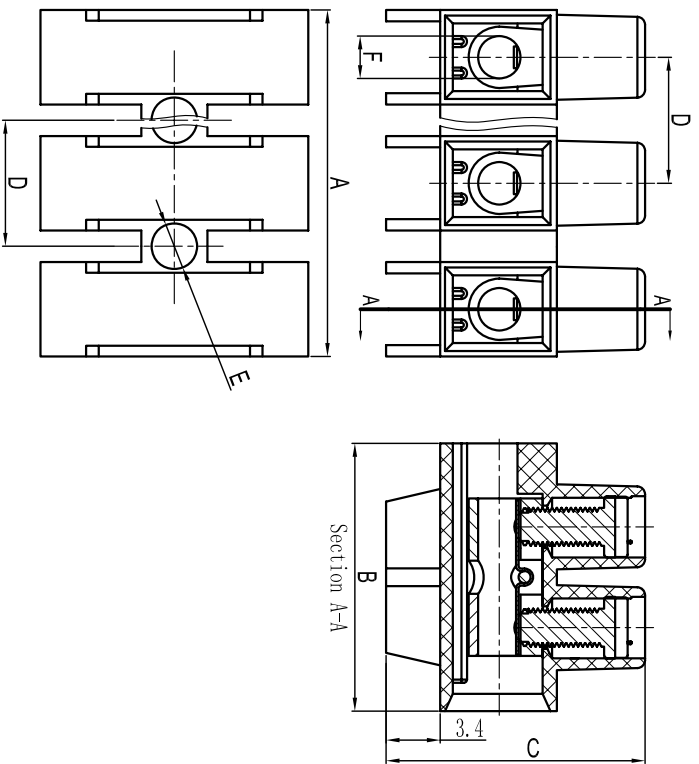


# 慈溪市万捷电子有限公司

## CIXI WANJIE ELECTRONIC CO., LTD

产品规格书  
product specification

型号 Model	线径 Wire range mm <sup>2</sup>	IEC技术参数		UL技术参数		尺寸mm Dimensions							
		电流 Current	电压 Voltage	电流 Current	电压 Voltage	螺丝 Screw	Unit	A	B	C	D	E	F
MY8HW+4.3	1.5	24A	450V	17.5A	300V	M2.5x5	(mm)	93.7	17.0	14.2	8	Ø2.8	2.8
MY10HW+4.3	2.5	41A	450V	26A	300V	M3x6	(mm)	116.5	20.3	17.2	10	Ø3.2	3.3
MY12HW+4.3	6.0	45A	750V	41A	600V	M3.5x7	(mm)	139.7	24.0	19.1	12	Ø3.8	3.8
MY14HW+4.3	10.0	57A	750V	50A	600V	M4x9	(mm)	158.0	25.6	23.8	13.5	Ø4.0	4.8
MY16HW+4.3	16.0	60A	750V	57A	600V	M4x9	(mm)	172.5	32.1	25.0	14.5	Ø4.0	6.0



TOLERANCES EXCEPT AS NOTED

	linear dimension	fillet	chamfer	short angle sid		over	over
variable range	6 over to 30	to 120	to 480	to 480	all	to 6	to 6
tolerance	±0.1 to ±0.2	±0.3 to ±0.5	±0.9 to ±0.2	±0.5 to ±1	1° to 30'	30' to 20'	10' to 0.4

订购方式：  
HOW TO ORDER

型号/Model      规格/POLE      P      客户需求/ Customer Request

未定义/No definition      单面弹片/Single pinch      双面弹片/Double pinch

灰色/Gray	10	绿色/Green	40	透明/Transparent	70
蓝色/Blue	20	棕色/Orange	50	黄色/Yellow	80
黑色/Black	30	红色/Red	60	白色/White	90

带弹片 Wire protector  
 型号/Model: MY  HW+4.3  
 底部/Base: With 4.3mm elevated base  
 螺丝/Screws: steel Zinc plated  
 方块/Clamp: Cu Ni plated  
 材质/Housing: PA66, UL94V-2  
 温度范围/Temp Range: -40° C ~ +105° C  
 接线排数/Poles available: 2-12 poles

单位/UNITS	尺寸/SIZE	A4	比例/SCALE	2:1
----------	---------	----	----------	-----

第一视角/FIRST ANGLE PROJECTION

名称/NAME MY  HW+4.3-AXP-11V-00A



慈溪市万捷电子有限公司  
CIXI WANJIE ELECTRONIC CO., LTD