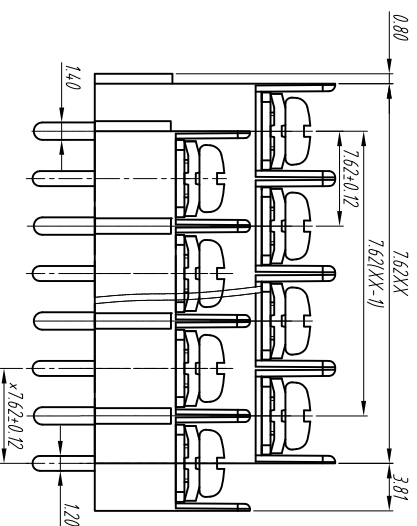
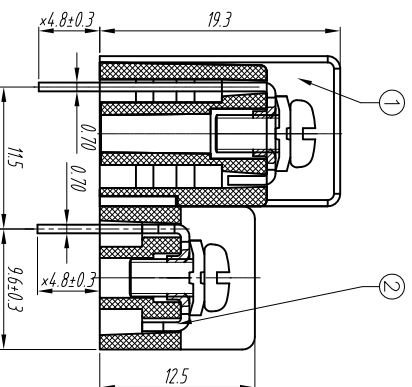
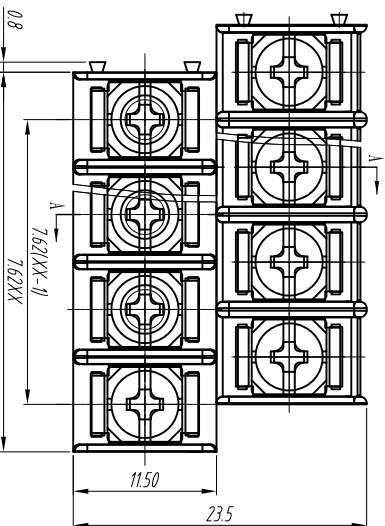
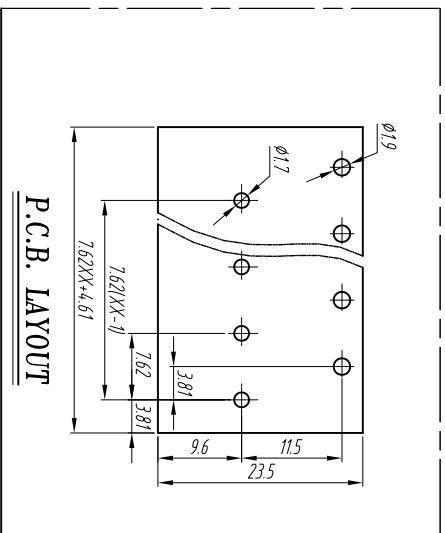




慈溪市万捷电子有限公司 CIXI WANJIE ELECTRONIC CO., LTD

产品规格书
THE SPEC SHEET



电气性能/Electrical

参考标准/Standard	UL	IEC
额定电压/Rated voltage	300V	250V
额定电流/Rated current	15A	17.5A
绝缘电阻/Insulation resistance	500MΩ	DC500V
使用线径/Wire range	22-14AWG	1.5mm ²
耐电压/With standing voltage	AC 2000V/1 Min	

机械性能/Mechanical

扭矩/Torque	0.5Nm(4.5Lb.in)
温度范围/Temp.Range	-40°C~+105°C
间距/Pitch	7.62mm
极数/Poles	2*2-2*24p
材料及电镀/Material	PA66, UL94V-0
塑件/Housing	M3.0 Steel Ni plated
螺丝/Screws	Brass 0.7t Tin plated
焊脚/Pin header	

linear dimension(Tolerances Standard GB/T 14486-2008)	≡	—	□	//	⊥											
tolerance	±0.1	±0.14	±0.19	±0.25	±0.32	±0.43	±0.57	±0.72	±0.88	±1.05	±1.25	0.5	0.025	0.06	0.12	0.4
variable range	6 to	6 to	10 to	18 to	30 to	50 to	80 to	120 to	160 to	200 to	250 to	oil	5 to	5 to	30 to	120 to
over	6	10	18	30	50	80	120	160	200	250			5	30	120	

单位/UNITS	mm
尺寸/SIZE	A4
比例/SCALE	2:1

名称/TITLE	2CZ7620A-2*XP-1YY-00A
----------	-----------------------

第三视角/THIRD ANGLE PROJECTION



慈溪市万捷电子有限公司
CIXI WANJIE ELECTRONIC CO., LTD