

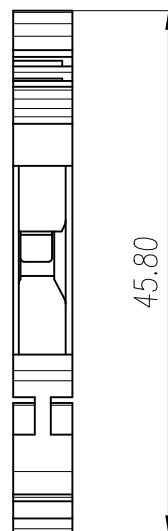
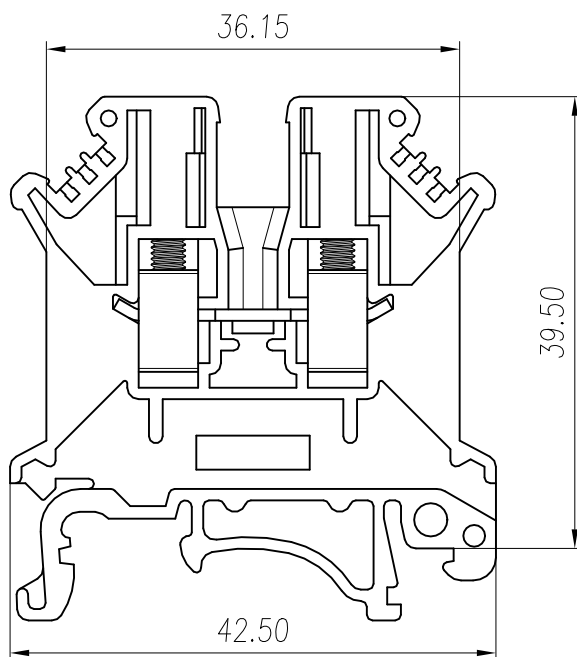
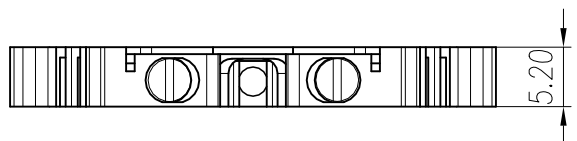


慈溪市万捷电子有限公司

CIXI WANJIE ELECTRONIC CO., LTD

REVISION RECORD

REV.	DESCRIPTION	ECN No.	APPROVED	DATE



UL/CUL 技术参数 (UL1059)		UL/CUL Technical Data		
等级	Use Group	B	C	D
额定电压	Rated Voltage [V]	600	600	600
额定电流	Rated Current [A]	20	20	5
耐电压	Withstanding Voltage	2200V/1Min		
接线范围	Wire Range	24-12		
单/多芯线	Solid/Stranded [AWG]			
IEC 技术参数 (IEC60947-7-1)		IEC Technical Data		
过电压类别	Overvoltage Category	III		
污染等级	Contamination Class	3		
额定电压	Rated Voltage [V]	800		
额定电流	Rated Current [A]	24		
额定冲击电压	Impulse withstand voltagea [KV]	8		
导线截面积 Conductor cross section				
单芯	Solid [mm ²]	0.2-4		
柔性导线	flexible [mm ²]	0.2-2.5		
柔性导线带冷压头	flexible with ferrule [mm ²]	0.25-1.5		
材料 Material				
绝缘材料	Insulation Material	PA66		
阻燃等级	Imflammability	UL94 V-0		
导体材料	Contactar Material	铜合金 Copper alloy		
导体表面镀层	Contactive Coating	镀镍 Ni Plated		
一般参数 Other Data				
连接点数	connection points	2		
剥线长度	Stripping Length [mm]	8-9		
导轨类型	Type of rail	DIN 35/DIN 32		
螺丝	Screw/扭矩 Torque(Max) [N·m]	M3/0.6-0.8		
工作温度	Operating temperatur [°C]	-40~105		



linear dimension(Tolerances Standard GB/T 14486-2008)										
variable range	to 6	over 6 to 10	over 10 to 30	over 30 to 60	over 60 to 100	over 100 to 160	over 160 to 250	to 10	over 10 to 100	over 100 to 250
tolerance	±0.20	±0.30	±0.50	±0.70	±1.00	±1.30	±1.60	0.10	0.30	0.60

灰色/Gray	GUK3N-102-GY-00A
颜色/Colour	订货号 /Order No.

单位 / UNITS	mm	尺寸 / SIZE	A4	比例 / SCALE	1:1	第三视角 / THIRD ANGLE PROJECTION	版本 / REV	V0
						名称 / TITLE	GUK3N-102-GY-00A	

