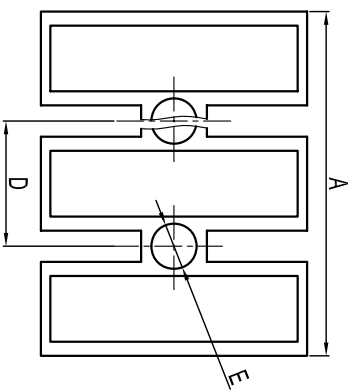
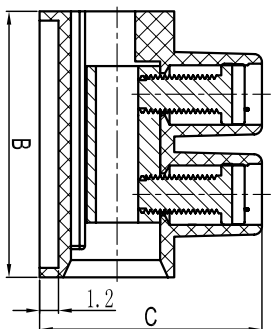
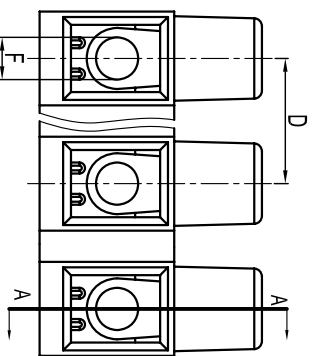




# 慈溪市万捷电子有限公司

## CIXI WANJIE ELECTRONIC CO., LTD

产品规格书  
product specification



型号 Model	线径 Wire range mm <sup>2</sup>	IEC技术参数		UL技术参数		尺寸mm Dimensions							
		IEC Rated Current	电压 Rated Voltage	UL Rated Current	电压 Rated Voltage	螺丝 Screw	Unit	A	B	C	D	E	F
MY8H+1.2	1.5	24A	450V	17.5A	300V	M2.5x5	(mm)	93.7	17.0	14.2	8	Ø2.8	2.8
MY10H+1.2	2.5	41A	450V	26A	300V	M3x6	(mm)	116.5	20.3	17.2	10	Ø3.2	3.3
MY12H+1.2	6.0	45A	750V	41A	600V	M3.5x7	(mm)	139.7	24.0	19.1	12	Ø3.8	3.8
MY14H+1.2	10.0	57A	750V	50A	600V	M4x9	(mm)	158.0	25.6	23.8	13.5	Ø4.0	4.8
MY16H+1.2	16.0	60A	750V	57A	600V	M4x9	(mm)	172.5	32.1	25.0	14.5	Ø4.0	6.0

TOLERANCES EXCEPT AS NOTED

	linear dimension	fillet	chamfer	short angle sid	≡	—	//	⊥
variable range	over 6 to 30 over 30 to 120 over 120 to 480 over 480 to	all to 6	over 6 to 10	over 10 to 50 over 50 to 120 over 120 to	all to 5	over 5 to 30 over 30 to 120		
tolerance	±0.1 to ±0.2 ±0.3 to ±0.5 ±0.5 to ±0.9	±0.2 to ±0.5	±1 to 1°	30° to 10°	0.5 to 0.025	0.06 to 0.12		0.4

订购方式：  
HOW TO ORDER

-  -  P -  -  -  -

未定义/No definition  
 1单排/1 Single pitch  
 2双排/2 Double pitch

客户请求 Customer Request

颜色/Color	10	20	30	40	50	60	70	80	90
灰色/Grey	10								
蓝色/Blue		20							
黑色/Black			30						
绿色/Green				40					
橙色/Orange					50				
红色/Red						60			
透明/Transparent							70		
黄色/Yellow								80	
白色/White									90

型号/Model: MY □ H+1.2

底部/Base: With 1.2mm elevated base

螺丝/Screws: steel Zinc plated

方块/Clamp: Cu Ni plated

材质/Housing: PA66, UL94V-2

温度范围/Temp Range: -40° C +105° C

接线排数/Poles available: 2-12 poles

单位/UNITS	尺寸/SIZE	A4	比例/SCALE
mm			2:1



第一视角 / FIRST ANGLE PROJECTION



名称/NAME MY □ H+1.2-XP-11Y-00A