

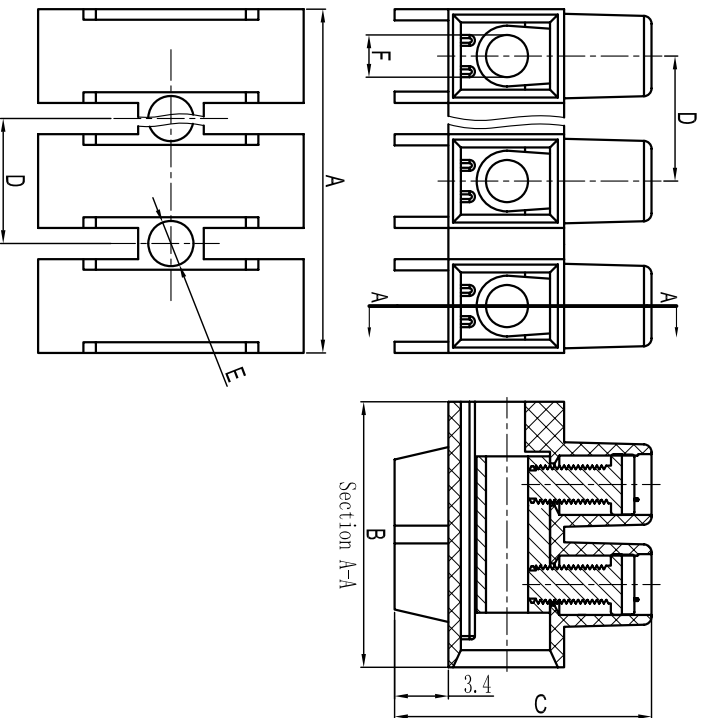


# 慈溪市万捷电子有限公司

## CIXI WANJIE ELECTRONIC CO., LTD

产品规格书  
product specification

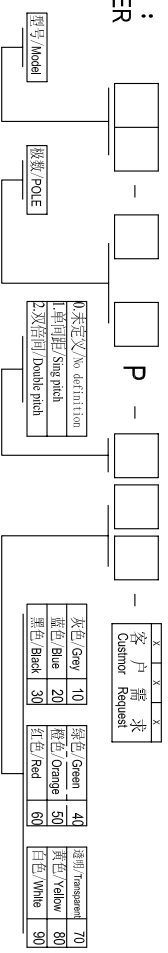
型号 Model	线径 Wire range mm <sup>2</sup>	IEC 技术参数		UL 技术参数		尺寸/mm Dimensions							
		电流 Rated Current	电压 Rated Voltage	电流 Rated Current	电压 Rated Voltage	螺丝 Screw	Unit	A	B	C	D	E	F
MY8H+4.3	1.5	24A	450V	17.5A	300V	M2.5x5	(mm)	93.7	17.0	14.2	8	Ø2.8	2.8
MY10H+4.3	2.5	41A	450V	26A	300V	M3x6	(mm)	116.5	20.3	17.2	10	Ø3.2	3.3
MY12H+4.3	6.0	45A	750V	41A	600V	M3.5x7	(mm)	139.7	24.0	19.1	12	Ø3.8	3.8
MY14H+4.3	10.0	57A	750V	50A	600V	M4x9	(mm)	158.0	25.6	23.8	13.5	Ø4.0	4.8
MY16H+4.3	16.0	60A	750V	57A	600V	M4x9	(mm)	172.5	32.1	25.0	14.5	Ø4.0	6.0



TOLERANCES EXCEPT AS NOTED

	linear dimension	filllet	chamfer	short angle sid	≡	—	∇	//	⊥
variable range	over 6 to 30 over 120 to 480	all to 6	over 6 to 10	over 10 to 50 over 120 to 120	all to 5	over 5 to 30 over 120 to 120			
tolerance	±0.1 to ±0.2 ±0.3 to ±0.5 ±0.9	±0.2 to ±0.5	±1 to 1°	30' to 20'	10' to 0.5 0.025 to 0.06 0.12 to 0.4				

订购方式：  
HOW TO ORDER



型号/Model: MY □ H+4.3  
底部/Base: With4, 3mm elevated base  
螺丝/Screws: steel Zinc plated  
方块/Clamp: Cu Ni plated  
材质/Housing: PA66, UL94V-2  
温度范围/Temp Range: -40° C +105° C  
接线排数/Poles available: 2-12 poles

单位/UNITS    mm    尺寸/SIZE    A4    比例/SCALE    2:1    第一视角/FIRST ANGLE PROJECTION

慈溪市万捷电子有限公司  
CIXI WANJIE ELECTRONIC CO., LTD  
名称/NAMME    MY □ H+4.3-XXP-1YY-00A