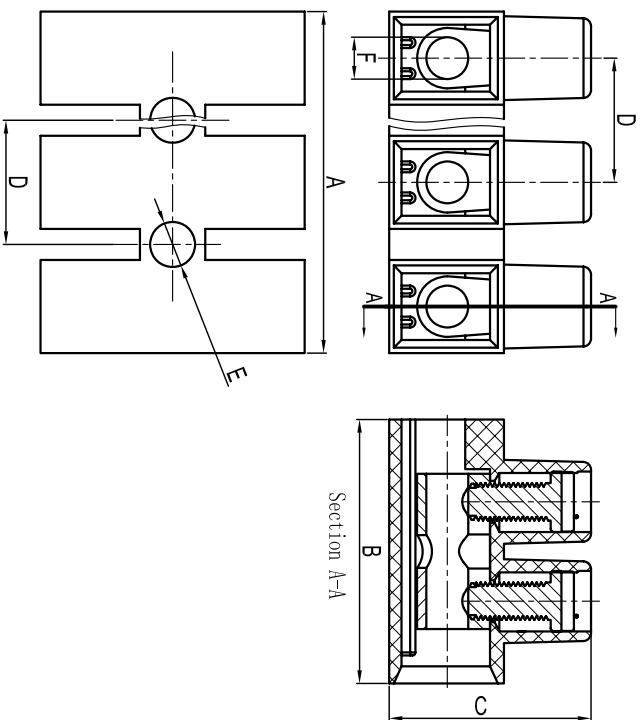




慈溪市万捷电子有限公司

CIXI WANJIE ELECTRONIC CO., LTD

产品规格书
product specification

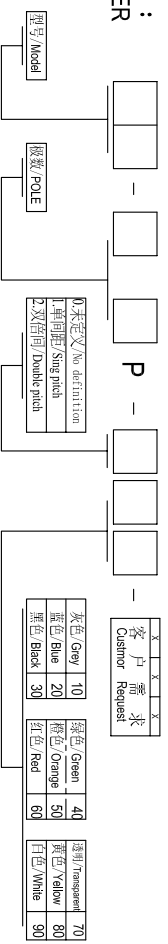


型号 Model	线径 Wire range mm ²	IEC 技术参数 IEC datashheet		UL 技术参数 UL datashheet		尺寸/mm Dimensions							
		电流 Current	电压 Voltage	电流 Current	电压 Voltage	螺丝 Screw	Unit	A	B	C	D	E	F
MY8H+0	1.5	24A	450V	17.5A	300V	M2.5x5	(mm)	93.7	17.0	14.2	8	Ø2.8	2.8
MY10H+0	2.5	41A	450V	26A	300V	M3x6	(mm)	116.5	20.3	17.2	10	Ø3.2	3.3
MY12H+0	6.0	45A	750V	41A	600V	M3.5x7	(mm)	139.7	24.0	19.1	12	Ø3.8	3.8
MY14H+0	10.0	57A	750V	50A	600V	M4x9	(mm)	158.0	25.6	23.8	13.5	Ø4.0	4.8
MY16H+0	16.0	60A	750V	57A	600V	M4x9	(mm)	172.5	32.1	25.0	14.5	Ø4.0	6.0

TOLERANCES EXCEPT AS NOTED

	linear dimension	fillet	chamfer	short angle sid				
variable range	over 6 to 30	over 30 to 120	over 120 to 480	all to 6	over 6 to 10	over 10 to 50	over 50 to 120	all to 5
tolerance	±0.1	±0.2	±0.3	±0.5	±0.9	±0.2	±0.5	±1

订购方式：
HOW TO ORDER



型号/Model: MY □ H+0
 底部/Base: Flat-bottom
 螺丝/Screws: steel Zinc plated
 方块/Clamp: Cu Ni plated
 材质/Housing: PA66, UL94V-2
 温度范围/Temp Range: -40° C +105° C
 接线排数/Poles available: 2-12 poles

单位/UNITS	mm	尺寸/SIZE	A4	比例/SCALE	2:1
名称/NAME	MY □ H+0-XYZ-1Y-00A				

慈溪市万捷电子有限公司
CIXI WANJIE ELECTRONIC CO., LTD