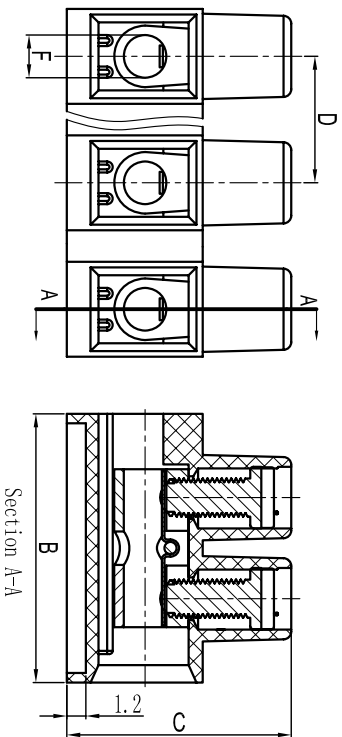




慈溪市万捷电子有限公司

CIXI WANJIE ELECTRONIC CO., LTD

产品规格书
product specification



型号 Model	线径 Wire range mm ²	IEC 技术参数 IEC datasheet		UL 技术参数 UL datasheet		尺寸mm Dimensions							
		电流 current	电压 Voltage	电流 current	电压 Voltage	螺丝 Screw	Unit	A	B	C	D	E	F
MY8H+1.2	1.5	24A	450V	17.5A	300V	M2.5x5	(mm)	93.7	17.0	14.2	8	Ø2.8	2.8
MY10H+1.2	2.5	41A	450V	28A	300V	M3x6	(mm)	116.5	20.3	16.9	10	Ø3.2	3.3
MY12H+1.2	6.0	45A	750V	41A	600V	M3.5x7	(mm)	139.7	24.0	19.1	12	Ø3.8	3.8
MY14H+1.2	10.0	57A	750V	50A	600V	M4x9	(mm)	158.0	25.6	23.8	13.5	Ø4.0	4.8
MY16H+1.2	16.0	60A	750V	57A	600V	M4x9	(mm)	172.5	32.1	25.0	14.5	Ø4.0	6.0

带弹片 Wire protector

型号/Model: MY □ HW+1.2

底部/Base: With1.2mm elevated base

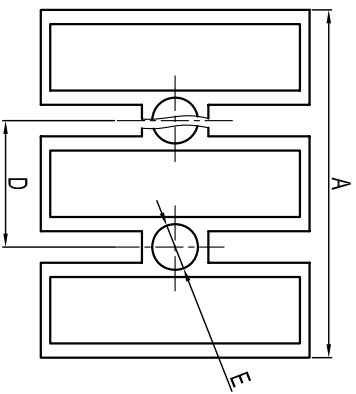
螺丝/Screws: steel Zinc plated

方块/Clamp: Cu Ni plated

材质/Housing: PA66, UL94V-2

温度范围/Temp Range: -40° C +105° C

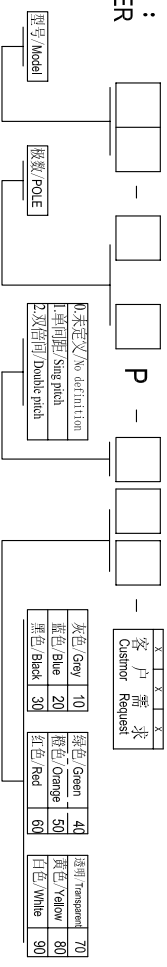
接线排数/Poles available: 2-12 poles



TOLERANCES EXCEPT AS NOTED

	linear dimension	fillet	chamfer	short angle side	≡	□	//	⊥
variable range	over 6 to 30	over 30 to 120	over 120 to 480	over 480 to all	all to 6	over 6 to 10	over 10 to 50	over 50 to 120
tolerance	±0.1	±0.2	±0.3	±0.5	±0.9	±0.2	±0.5	±1

订购方式：
HOW TO ORDER



单位/UNITS	mm	尺寸/SIZE	A4	比例/SCALE	2:1	
第一视角/FIRST ANGLE PROJECTION						
慈溪市万捷电子有限公司 CIXI WANJIE ELECTRONIC CO., LTD					名称/NAME	MY □ HW+1.2-XXP-1Y-0AA