

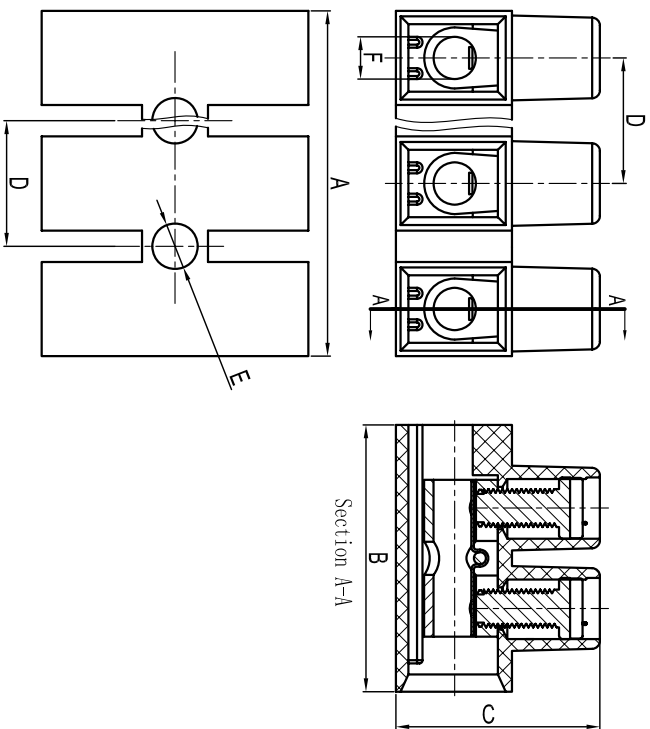


慈溪市万捷电子有限公司

CIXI WANJIE ELECTRONIC CO., LTD

产品规格书
product specification

型号 Model	线径 Wire range mm ²	IEC 技术参数		UL 技术参数		尺寸/mm Dimensions						
		IEC Rated Current	电压 Rated Voltage	IEC Rated Current	电压 Rated Voltage	螺丝 Screw	A	B	C	D	E	F
MY8H+0	1.5	24A	450V	17.5A	300V	M2.5x5	93.7	17.0	13.0	8	Ø2.8	2.8
MY10H+0	2.5	41A	450V	26A	300V	M3x6	116.5	20.3	15.7	10	Ø3.2	3.3
MY12H+0	6.0	45A	750V	41A	600V	M3.5x7	139.7	24.0	17.9	12	Ø3.8	3.8
MY14H+0	10.0	57A	750V	50A	600V	M4x9	158.0	25.6	22.6	13.5	Ø4.0	4.8
MY16H+0	16.0	60A	750V	57A	600V	M4x9	172.5	32.1	23.8	14.5	Ø4.0	6.0



TOLERANCES EXCEPT AS NOTED

linear dimension	fillet	chamfer	short angle sid				
over 6 to 30	all	over 6 to 10	over 10 to 50	≡	over 5 to 30	over 30 to 120	over 120
over 30 to 120	±0.2	±1	10' 30'	≡	over 5 to 30	over 30 to 120	over 120
over 120 to 480	±0.3	±1	10' 20'	≡	over 5 to 30	over 30 to 120	over 120
over 480 to all	±0.5	±1	10'	≡	over 5 to 30	over 30 to 120	over 120
all	±0.9	±1	10'	≡	over 5 to 30	over 30 to 120	over 120
tolerance	±0.1	±1	30'	≡	over 5 to 30	over 30 to 120	over 120

订购方式：
HOW TO ORDER

型号/Model: 极数/POLE: P

客户要求/No. definition: 客户需求/Customer request:

颜色/Color: 颜色/Blue: 颜色/Black: 颜色/Green: 颜色/Orange: 颜色/Red: 颜色/Transparent: 颜色/Yellow: 颜色/White:

带弹片 Wire protector
型号/Model: MY HW+0
底部/Base: Flat-bottom
螺丝/Screws: steel Zinc plated
方块/Clamp: Cu Ni plated
材质/Housing: PA66, UL94V-2
温度范围/Temp Range: -40° C +105° C
接线排数/Poles available: 2-12 poles

单位/UNITS: mm 尺寸/SIZE: A4 比例/SCALE: 2:1

第一视角/FIRST ANGLE PROJECTION

名称/NAME: MY HW+0-XYX-1YY-00A



慈溪市万捷电子有限公司
CIXI WANJIE ELECTRONIC CO., LTD