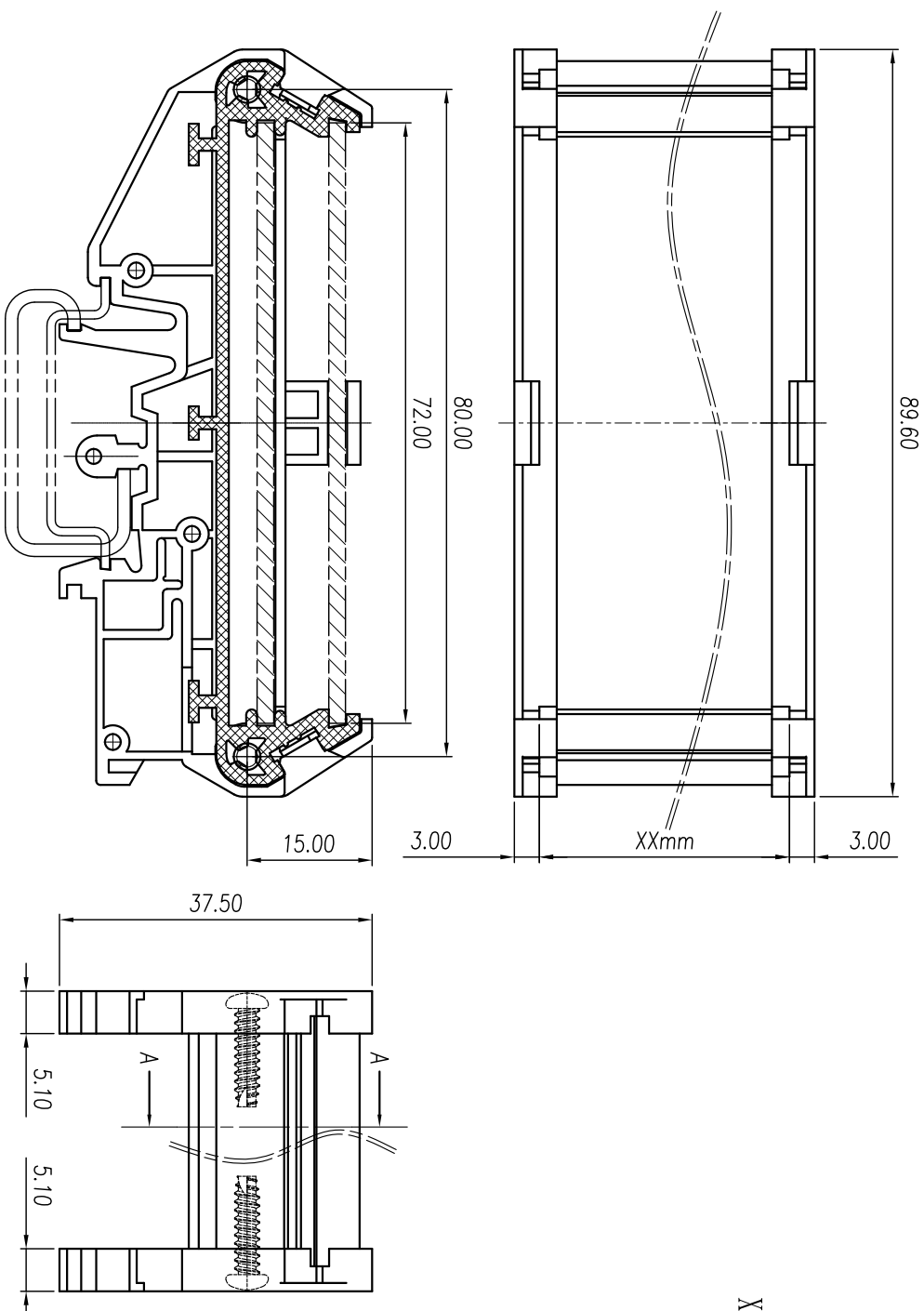


慈溪市万捷电子有限公司
CIXI WANJIE ELECTRONIC CO., LTD

产品规格书
THE SPEC SHEET



备注：图中PCB板 金属导轨为虚拟件
XXmm为支撑板长度

NOTE: XXcm is the length of
support plate

SECTION:A-A

linear dimension(Tolerances Standard GB/T 14486-2008)	≡	—	□	//	⊥											
tolerance	±0.1	±0.14	±0.19	±0.25	±0.32	±0.43	±0.57	±0.72	±0.88	±1.05	±1.25	0.5	0.025	0.06	0.12	0.4
variable range	6 to	6 to	10 to	10 to	18 to	30 to	50 to	80 to	120 to	160 to	200 to	250 to	all to	5 to	30 to	120 to
	over	over	over	over	over	over	over	over	over	over	over	over	over	over	over	over

单位 / UNITS	mm	尺寸 / SIZE	A4	比例 / SCALE	1:2.1
慈溪市万捷电子有限公司 CIXI WANJIE ELECTRONIC CO., LTD					

名称 / TITLE	SP6-XXmm-YY
第三视图 / THIRD ANGLE PROJECTION	