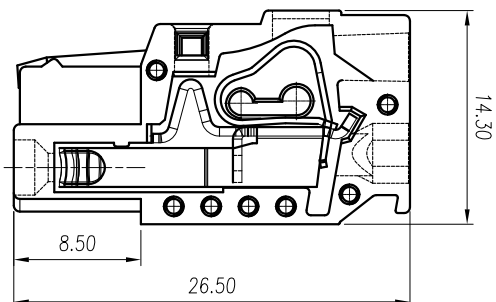
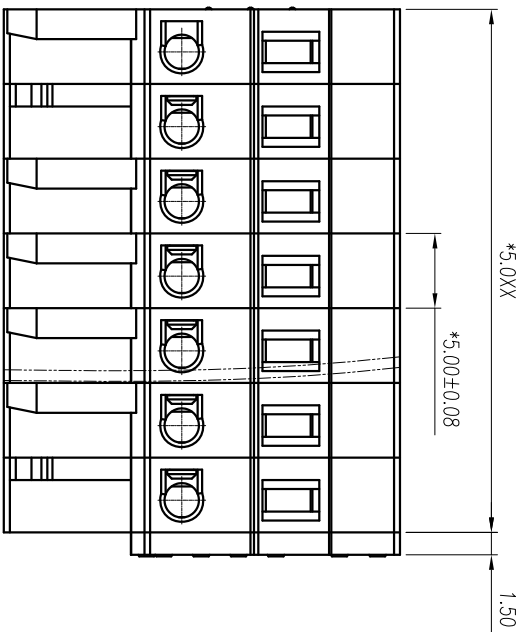
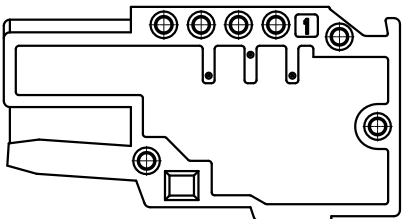
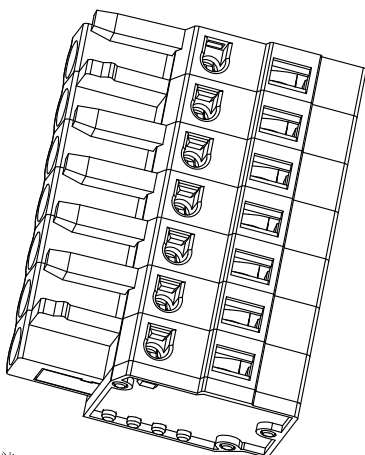
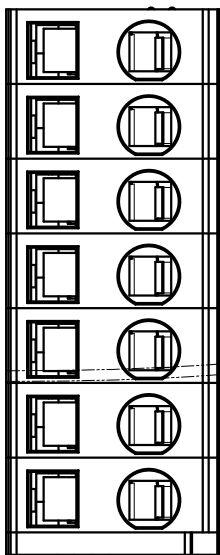




慈溪市万捷电子有限公司 CIXI WANJIE ELECTRONIC CO., LTD

产品规格书
THE SPEC SHEET



参考标准 / Standard	UL	IEC
额定电压 / Rated voltage	300V	250V
额定电流 / Rated current	15A	12A
接触电阻 / Contact resistance	20mΩ	
绝缘电阻 / Insulation resistance	500MΩ / DC500V	
使用线径 / Wire range	28-12AWG	2.5mm ²
耐电压 / With standing voltage	AC 2000V/1 Min	
机械性能 / Mechanical		
剥线长度 / Strip Length	8-9mm	
温度范围 / Temp Range	-40°C~+105°C	
尺寸 / Dimensions		
间距 / Pitch	5mm	
极数 / Poles	2-24p	
材质及电镀 / Material	PA66, UL94V-0	
夹子 / Clamp	Phosphor bronze, Tin plated	
弹片 / Wire guard	Stainless steel	

linear dimension (Tolerances Standard GB/T 14486-2008)

tolerance	±0.1	±0.14	±0.19	±0.25	±0.32	±0.43	±0.57	±0.72	±0.88	±1.05	±1.25	0.5	0.025	0.06	0.12	0.4
variable range	6 to	6 to 10	10 to 18	18 to 30	30 to 50	50 to 80	80 to 120	120 to 160	160 to 200	200 to 250	250 to	all	5 to	5 to 30	30 to 120	120 to

单位 / UNITS	mm	尺寸 / SIZE	A4	比例 / SCALE	2:1
------------	----	-----------	----	------------	-----



名称 / TITLE	第三视图 / THIRD ANGLE PROJECTION
	WJ0401-02XX-1YY-00A