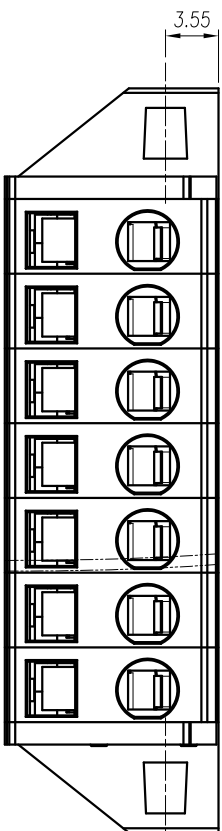




慈溪市万捷电子有限公司

CIXI WANJIE ELECTRONIC CO., LTD

产品规格书
THE SPEC SHEET



5.0XX+14.8

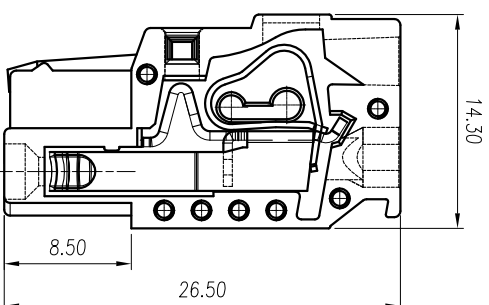
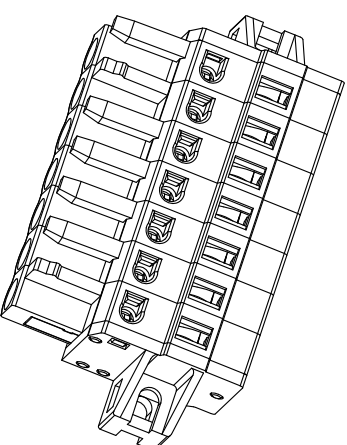
5.0XX+3.0

*5.0XX

*5.00±0.08

8.20

5.0XX+8.8



14.30

- 额定电压/Rated voltage 300V 250V
- 额定电流/Rated current 15A 12A
- 接触电阻/Contact resistance 20mΩ
- 绝缘电阻/Insulation resistance 500MΩ/DC500V
- 使用线径/Wire range 28-12AWG 2.5mm²
- 耐电压/With standing voltage AC 2000V/1 Min
- 机械性能/Mechanical 剥线长度/Strip Length 8-9mm
- 温度范围/Temp Range -40°C~+105°C

- 尺寸/Dimensions 间距/Pitch 5mm
- 极数/Poles 2-24P
- 材质及电镀/Material PA66, UL94V-0
- 塑料/ Housing Phosphor bronze, Tin plated
- 夹子/ Clamp Stainless steel
- 弹片/ Wire guard

linear dimension(Tolerances Standard GB/T 14486-2008)	≡	—	□	//	⊥											
tolerance	±0.1	±0.14	±0.19	±0.25	±0.32	±0.43	±0.57	±0.72	±0.88	±1.05	±1.25	0.5	0.025	0.06	0.12	0.4
variable range	6 to	6 to 10	10 to 18	18 to 30	30 to 50	50 to 80	80 to 120	120 to 160	160 to 200	200 to 250	250 to	all	5 to	5 to 30	30 to 120	120 to

单位/ UNITS	mm	尺寸/ SIZE	A4	比例/ SCALE	2:1
名称/ TITLE	WJ0401-08XX-1YY-00A				

第三视图/THIRD ANGLE PROJECTION



慈溪市万捷电子有限公司
CIXI WANJIE ELECTRONIC CO., LTD