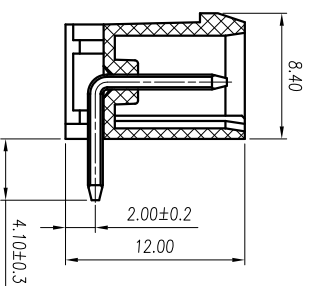
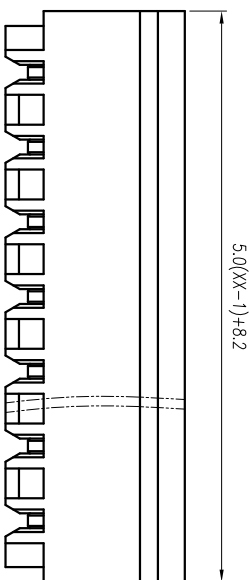
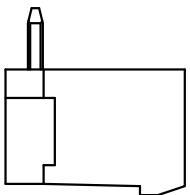
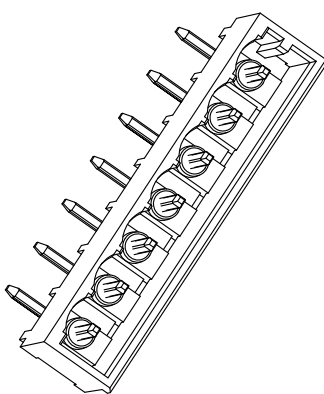
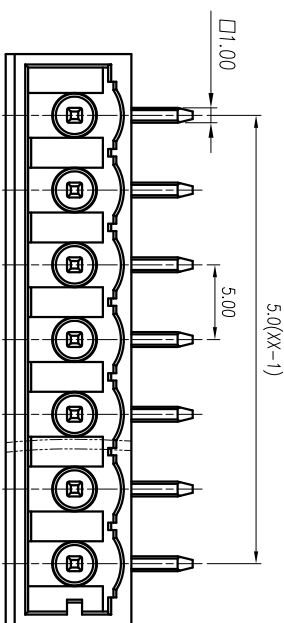
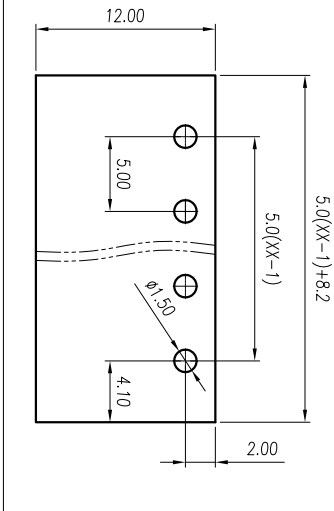




慈溪市万捷电子有限公司 CIXI WANJIE ELECTRONIC CO., LTD

产品规格书
THE SPEC SHEET



参考标准/Standard
 UL IEC
额定电压/Rated voltage
 300V 450V
额定电流/Rated current
 15A 20A
接触电阻/Contact resistance
 20mΩ
绝缘电阻/Insulation resistance
 5000Ω/D/C500V
耐电压/With standing voltage
 AC 2000V/1 Min
机械性能/Mechanical
 温度范围/Temp Range -40°C~+105°C
 瞬时温度/Max Soldering +250°C for 5 Sec
尺寸/Dimensions
 间距/Pitch 5.0mm
 极数/Poles 2-24p
材料及电镀/Material
 塑件/Housing PA66, UL94V-0
 焊脚/Pin header Brass, Tin plated

	linear dimension(Tolerances Standard GB/T 14486-2008)												≡	—	□	//	⊥
variable range	6 to	6 to 10	10 to 18	18 to 30	30 to 50	50 to 80	80 to 120	120 to 160	160 to 200	200 to 250	250 to	all to 5	5 to 30	30 to 120	120 to		
tolerance	±0.1	±0.14	±0.19	±0.25	±0.32	±0.43	±0.57	±0.72	±0.88	±1.05	±1.25	0.5	0.025	0.06	0.12	0.4	

单位/UNITS mm 尺寸/SIZE A4 比例/SCALE 2:1
 慈溪市万捷电子有限公司
 CIXI WANJIE ELECTRONIC CO., LTD

第三视图/THIRD ANGLE PROJECTION
 名称/TITLE WJ0402-02XX-1YY-00A