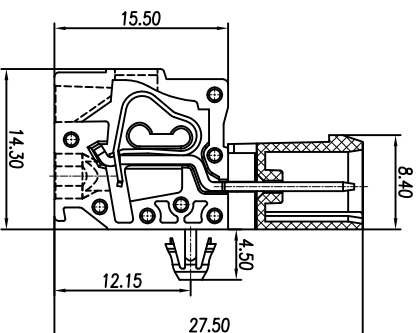
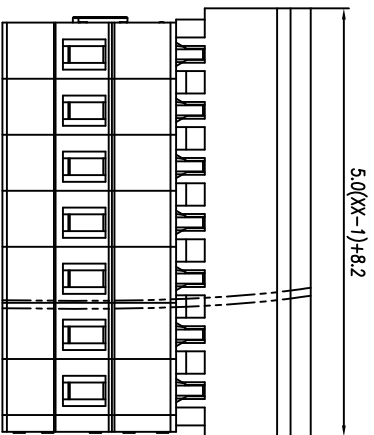
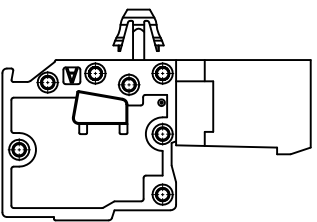
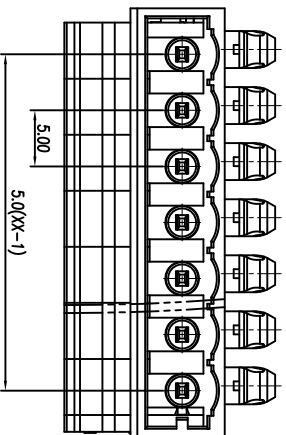


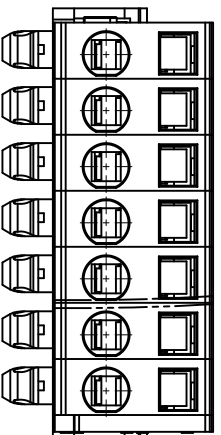


慈溪市万捷电子有限公司 CIXI WANJIE ELECTRONIC CO., LTD

产品规格书
THE SPEC SHEET



参考标准/Standard	UL	IEC
额定电压/Rated voltage	300V	250V
额定电流/Rated current	15A	16A
接触电阻/Contact resistance	20mΩ	
绝缘电阻/Insulation resistance	500MΩ/DC500V	
使用线径/Wire range	28-12AWG	2.5mm ²
耐电压/With standing voltage	AC 2000V/1 Min	
机械性能/Mechanical		
剥线长度/Strip Length	8-9mm	
温度范围/Temp. Range	-40°C~+105°C	
尺寸/Dimensions		
间距/Pitch	5mm	
极数/Poles	2-24p	
材料及电镀/Material		
塑件/Housing	PA66, UL94V-0	
弹片/Wire guard	Stainless steel	
夹子/Clamp	Red copper, Tin plated	



variable range	tolerance	±0.1	±0.14	±0.19	±0.25	±0.32	±0.43	±0.57	±0.72	±0.88	±1.05	±1.25	0.5	0.025	0.06	0.12	0.4
	tolerance	±0.1	±0.14	±0.19	±0.25	±0.32	±0.43	±0.57	±0.72	±0.88	±1.05	±1.25	0.5	0.025	0.06	0.12	0.4

linear dimension(Tolerances Standard GB/T 14486-2008)

单位/UNITS mm 尺寸/SIZE A4 比例/SCALE 1:5.1



慈溪市万捷电子有限公司
CIXI WANJIE ELECTRONIC CO., LTD

第三视图/THIRD ANGLE PROJECTION



名称/TITLE WJ0403-02XX-1YY-00A