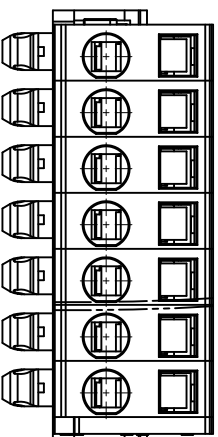
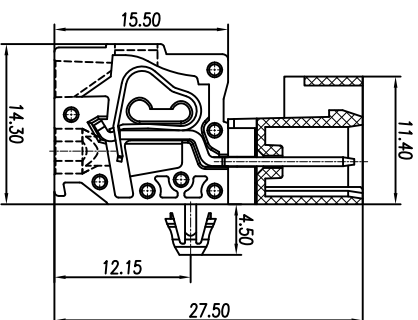
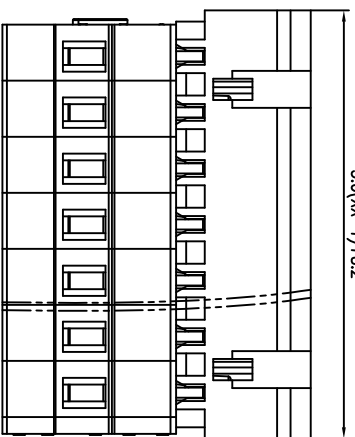
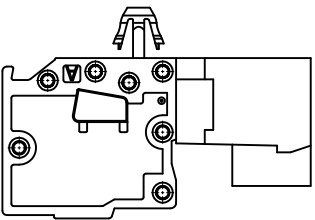
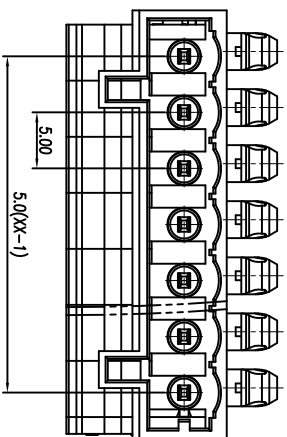




慈溪市万捷电子有限公司 CIXI WANJIE ELECTRONIC CO., LTD

产品规格书
THE SPEC SHEET



linear dimension(Tolerances Standard GB/T 14486-2008)

variable range	6 to	over 6 to 10	over 10 to 18	over 18 to 30	over 30 to 50	over 50 to 80	over 80 to 120	over 120 to 160	over 160 to 200	over 200 to 250	over 250 to all	over 5 to 30	over 30 to 120	over 120 to
tolerance	±0.1	±0.14	±0.19	±0.25	±0.32	±0.43	±0.57	±0.72	±0.88	±1.05	±1.25	0.5 to 5	0.025 to 0.06	0.12 to 0.4

参考标准/Standard

UL IEC

额定电压/Rated voltage

300V 250V

额定电流/Rated current

15A 16A

接触电阻/Contact resistance

20mΩ

绝缘电阻/Insulation resistance

500MΩ/DC500V

使用线径/Wire range

28~12AWG 2.5mm²

耐电压/With standing voltage

AC 2000V/1 Min

机械性能/Mechanical

剥线长度/Strip Length

8.9mm

温度范围/Temp.Range

-40°C~+105°C

尺寸/Dimensions

间距/Pitch

5mm

极数/Poles

2-24p

材质及电镀/Material

塑件/Housing PA66, UL94V-0

弹片/Wire guard

Stainless steel

夹子/Clamp

Red copper, Tin plated

单位/UNITS mm 尺寸/SIZE A4 比例/SCALE 1:5.1

第三视图/THIRD ANGLE PROJECTION



慈溪市万捷电子有限公司
CIXI WANJIE ELECTRONIC CO., LTD

名称/TITLE
WJ0403-05XX-1YY-00A

