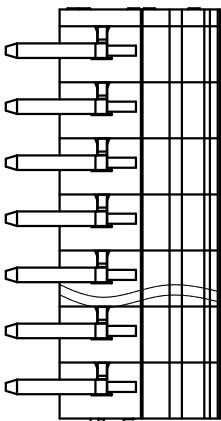
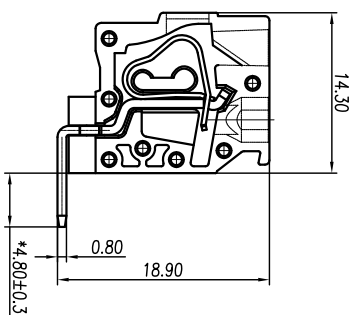
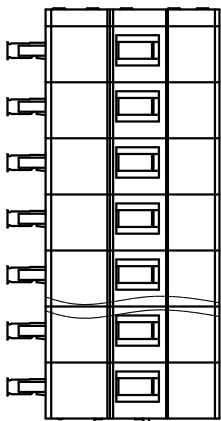
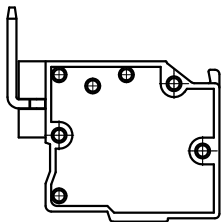
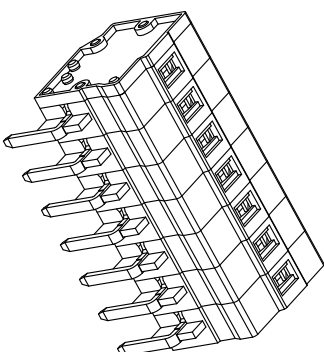
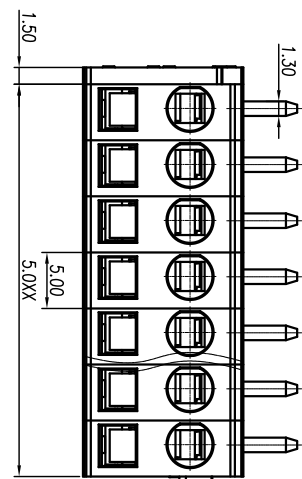




# 慈溪市万捷电子有限公司 CIXI WANJIE ELECTRONIC CO., LTD

产品规格书  
THE SPEC SHEET



linear dimension(Tolerances Standard GB/T 14486-2008)

tolerance	±0.1	±0.14	±0.19	±0.25	±0.32	±0.43	±0.57	±0.72	±0.88	±1.05	±1.25	0.5	0.025	0.06	0.12	0.4
variable range	to 6	to 10	to 18	to 30	to 50	to 80	to 120	to 160	to 200	to 250	to 250	all	to 5	to 30	to 120	
	over 6	over 10	over 18	over 30	over 50	over 80	over 120	over 160	over 200	over 250	over 250		over 5	over 30	over 120	

单位 / UNITS mm 尺寸 / SIZE A4 比例 / SCALE 1:5.1



慈溪市万捷电子有限公司  
CIXI WANJIE ELECTRONIC CO., LTD

第三视图/THIRD ANGLE PROJECTION



名称 / TITLE WJ0404-02XX-1YY-00A

### 参考标准/Standard

额定电压 / Rated voltage

额定电流 / Rated current

接触电阻 / Contact resistance

绝缘电阻 / Insulation resistance

使用线径 / Wire range

耐电压 / With standing voltage

机械性能 / Mechanical

剥线长度 / Strip Length

温度范围 / Temp.Range

### 尺寸/Dimensions

间距 / Pitch

极数 / Poles

材质及电镀 / Material

塑件 / Housing

弹片 / Wire guard

导电针 / Conductor

UL IEC

300V 250V

15A 16A

20mΩ

500MΩ /DC500V

28-12AWG 2.5mm<sup>2</sup>

AC 2000V/1 Min

8-9mm

-40°C~+105°C

5mm

2-24p

PA66, UL94V-0

Stainless steel

Red copper, Tin plated