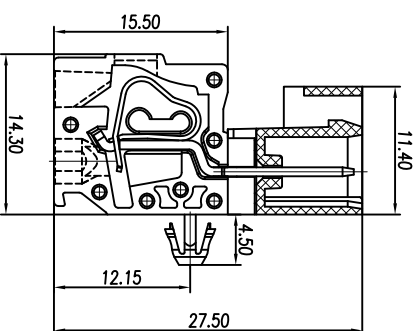
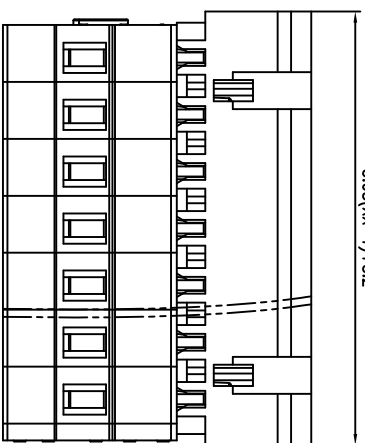
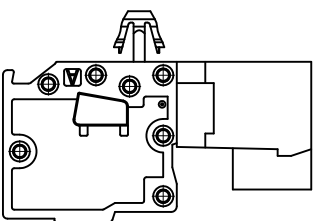
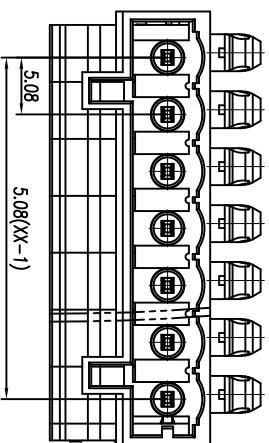




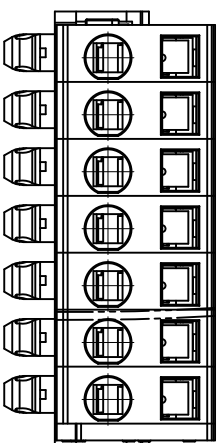
慈溪市万捷电子有限公司

CIXI WANJIE ELECTRONIC CO., LTD

产品规格书
THE SPEC SHEET



参考标准/Standard	UL	IEC
额定电压/Rated voltage	300V	250V
额定电流/Rated current	15A	16A
接触电阻/Contact resistance	20mΩ	
绝缘电阻/Insulation resistance	500MΩ/DC500V	
使用线径/Wire range	28-12AWG	2.5mm ²
耐电压/With standing voltage	AC 2000V/1 Min	
机械性能/Mechanical		
剥线长度/Strip Length	8.9mm	
温度范围/Temp Range	-40°C~+105°C	
尺寸/Dimensions		
间距/Pitch	5.08mm	
极数/Poles	2-24p	
材质及电镀/Material		
塑件/Housing	PA66, UL94V-0	
弹片/Wire guard	Stainless steel	
夹子/Clamp	Red copper, Tin plated	



variable range	tolerance	±0.1	±0.14	±0.19	±0.25	±0.32	±0.43	±0.57	±0.72	±0.88	±1.05	±1.25	0.5	0.025	0.06	0.12	0.4
	linear dimension(Tolerances Standard GB/T 14486-2008)	over 6 to 10	over 10 to 18	over 18 to 30	over 30 to 50	over 50 to 80	over 80 to 120	over 120 to 160	over 160 to 200	over 200 to 250	over 250 to 500	over 500 to 1000	over 1000 to 2000	over 2000 to 5000	over 5000 to 10000	over 10000 to 20000	over 20000 to 50000

单位/UNITS	mm	尺寸/SIZE	A4	比例/SCALE	1:5:1
----------	----	---------	----	----------	-------

名称/TITLE	第三视图/THIRD ANGLE PROJECTION
	WJ0503-05XX-1YY-00A

