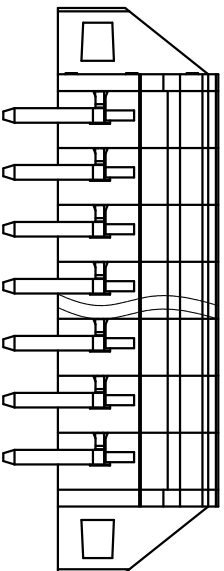
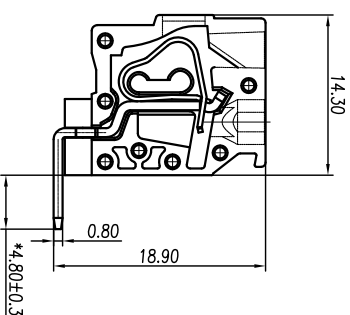
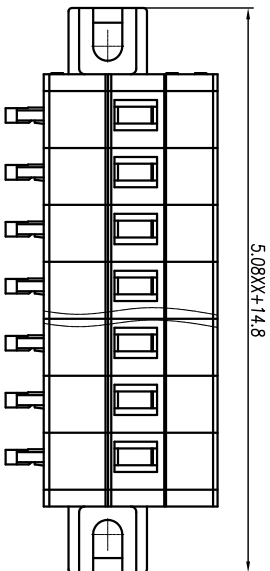
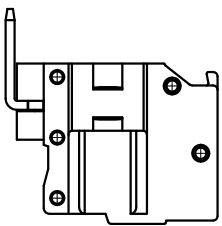
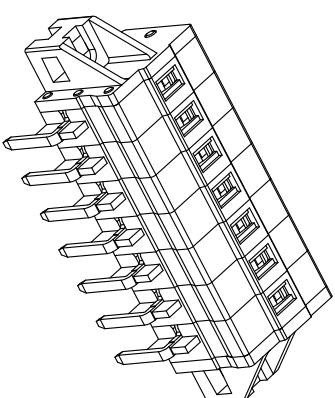
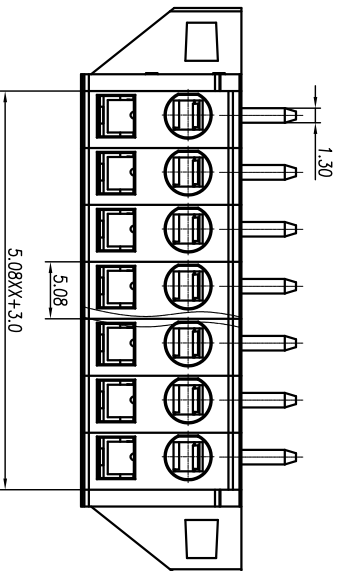


慈溪市万捷电子有限公司 CIXI WANJIE ELECTRONIC CO., LTD

产品规格书
THE SPEC SHEET



	linear dimension(Tolerances Standard GB/T 14486-2008)												≡	—	□	//	⊥									
tolerance	±0.1	±0.14	±0.19	±0.25	±0.32	±0.43	±0.57	±0.72	±1.05	±1.25	0.5	0.025	0.06	0.12	0.4											
variable range	6 to	6 to	10 to	10 to	18 to	18 to	30 to	30 to	50 to	50 to	80 to	80 to	120 to	120 to	160 to	160 to	200 to	200 to	250 to	250 to	all	5 to	5 to	30 to	30 to	120 to

单位 / UNITS	mm	尺寸 / SIZE	A4	比例 / SCALE	1:5.1
名称 / TITLE	第三视图/THIRD ANGLE PROJECTION				
	WJ0504-04XX-1YY-00A				

参考标准 / Standard	UL	IEC
额定电压 / Rated voltage	300V	250V
额定电流 / Rated current	15A	16A
接触电阻 / Contact resistance	20mΩ	
绝缘电阻 / Insulation resistance	500MΩ / DC500V	
使用线径 / Wire range	28~12AWG	2.5mm ²
耐电压 / With standing voltage	AC 2000V/1 Min	
机械性能 / Mechanical		
剥线长度 / Strip Length	8.9mm	
温度范围 / Temp Range	-40°C~+105°C	
尺寸 / Dimensions		
间距 / Pitch	5.08mm	
极数 / Poles	2-24p	
材质及电镀 / Material	PA66, UL94V-0	
塑件 / Housing	Stainless steel	
弹片 / Wire guard	Red copper, Tin plated	
导电针 / Conductor		



慈溪市万捷电子有限公司
CIXI WANJIE ELECTRONIC CO., LTD