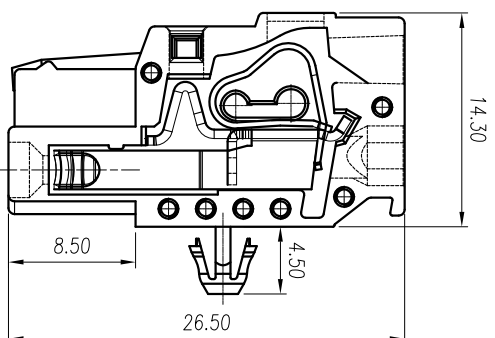
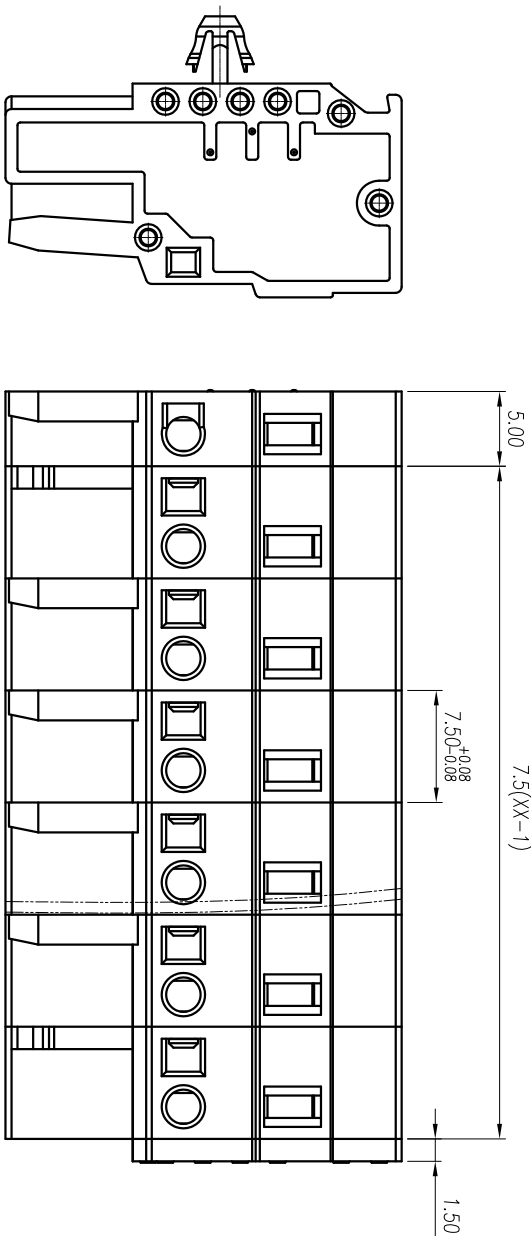
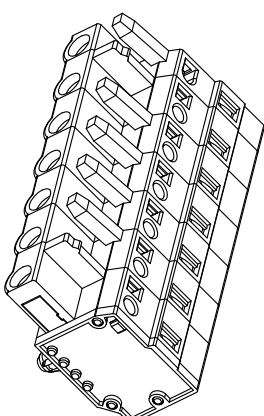
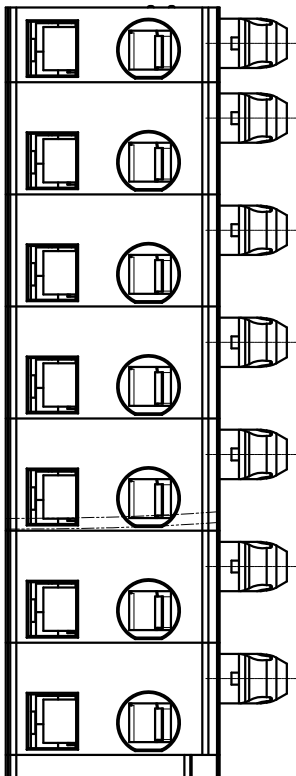




慈溪市万捷电子有限公司 CIXI WANJIE ELECTRONIC CO., LTD

产品规格书
THE SPEC SHEET



参考标准/Standard	UL	IEC
额定电压/Rated voltage	300V	250V
额定电流/Rated current	15A	12A
接触电阻/Contact resistance	20mΩ	
绝缘电阻/Insulation resistance	500MΩ/DC500V	
使用线径/Wire range	28-12AWG	2.5mm ²
耐电压/With standing voltage	AC 2000V/1 min	
机械性能/Mechanical		
剥线长度/Strip Length	8.9mm	
温度范围/Temp Range	-40°C~+105°C	
尺寸/Dimensions		
极数/Poles	2-24P	
材料及电镀/Material	PA66, UL94V-0	Phosphor bronze, Tin plated
塑件/Housing		Stainless steel
夹子/Clamp		
弹片/Wire guard		

linear dimension(Tolerances Standard GB/T 14486-2008)	over 6 to 10	over 10 to 18	over 18 to 30	over 30 to 50	over 50 to 80	over 80 to 120	over 120 to 160	over 160 to 200	over 200 to 250	over 250 to 5	all to 5	over 5 to 30	over 30 to 120			
	±0.1	±0.14	±0.19	±0.25	±0.32	±0.43	±0.57	±0.72	±0.88	±1.05	±1.25	0.5	0.025	0.06	0.12	0.4
tolerance	±0.1	±0.14	±0.19	±0.25	±0.32	±0.43	±0.57	±0.72	±0.88	±1.05	±1.25	0.5	0.025	0.06	0.12	0.4

单位/UNITS mm 尺寸/SIZE A4 比例/SCALE 2:1

第三视图/THIRD ANGLE PROJECTION



慈溪市万捷电子有限公司
CIXI WANJIE ELECTRONIC CO., LTD

名称/TITLE WJ0601-04XX-1YY-00A