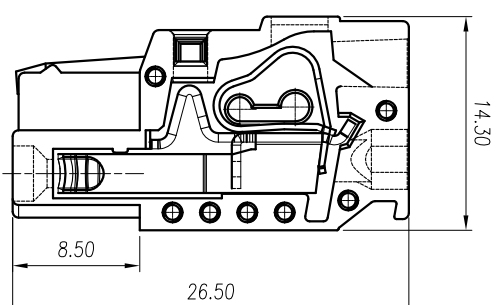
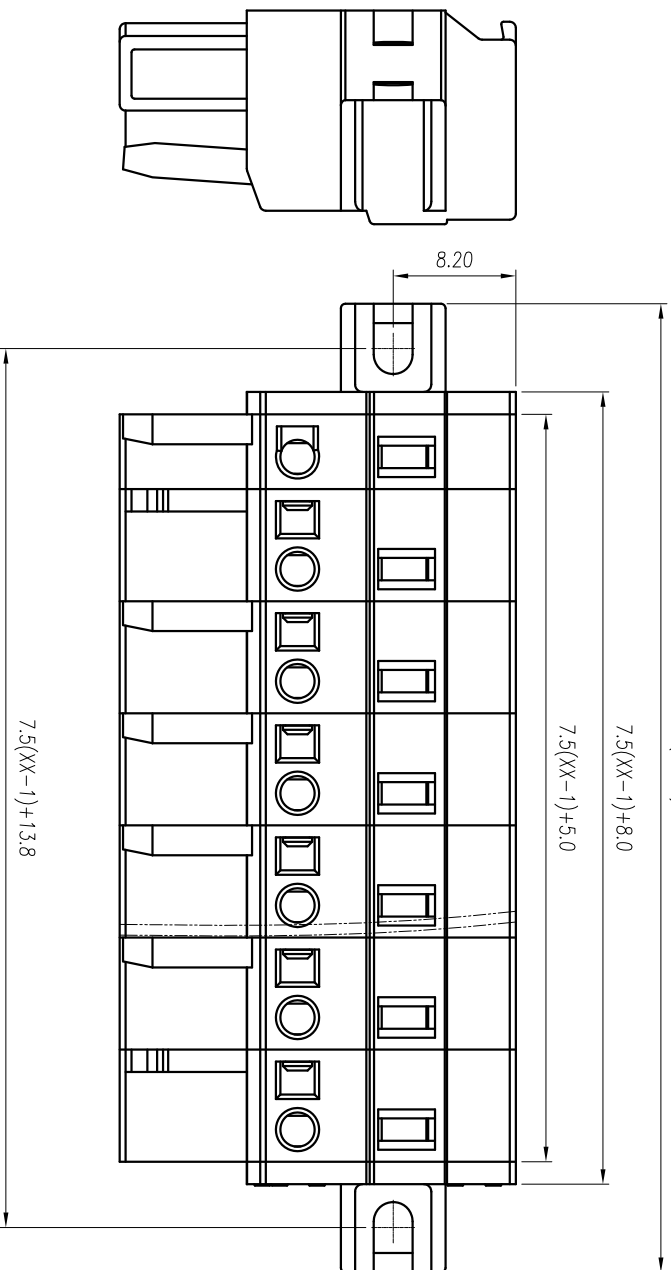
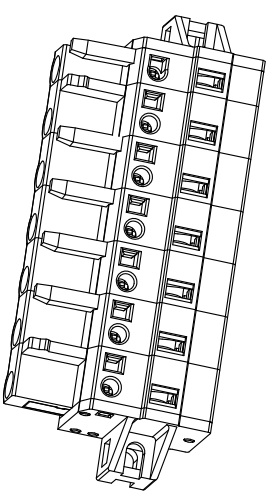
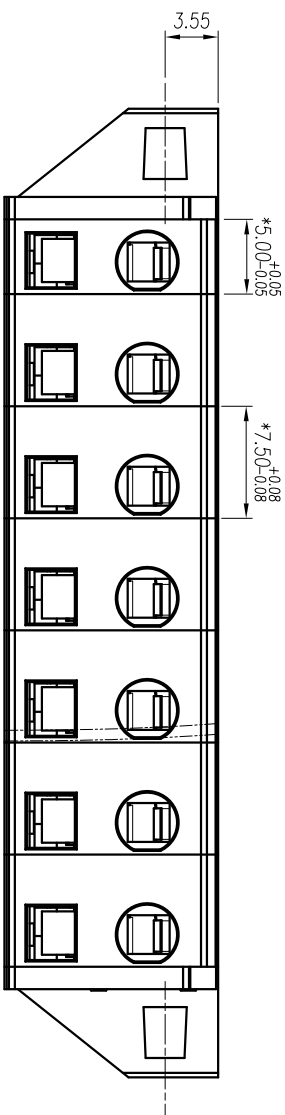




慈溪市万捷电子有限公司 CIXI WANJIE ELECTRONIC CO., LTD

产品规格书
THE SPEC SHEET



- 参考标准/Standard: UL
- 额定电压/Rated voltage: 300V
- 额定电流/Rated current: 15A
- 接触电阻/Contact resistance: 20mΩ
- 绝缘电阻/Insulation resistance: 500MΩ/DC500V
- 使用线径/Wire range: 28-12AWG
- 耐电压/With standing voltage: AC 2000V/1 Min
- 机械性能/Mechanical: 2.5mm²
- 剥线长度/Strip Length: 8.9mm
- 温度范围/Temp Range: -40°C-+105°C
- 尺寸/Dimensions: 2-24P
- 极数/Poles: 2-24P
- 材料及电镀/Material: PA66, UL94V-0
- 塑件/Housing: Phosphor bronze, Tin plated
- 夹子/Clamp: Stainless steel
- 弹片/Wire guard: Stainless steel

linear dimension(Tolerances Standard GB/T 14486-2008)	over	over	over	over	over	over	over	over	over	over	over	over	over	over	over	over	over	over	over
	6	10	18	30	50	80	120	160	200	250	250	5	5	30	120	120	120	120	120
tolerance	±0.1	±0.14	±0.19	±0.25	±0.32	±0.43	±0.57	±0.72	±0.88	±1.05	±1.25	0.5	0.025	0.06	0.12	0.4	0.4	0.4	0.4

单位/UNITS	mm	尺寸/SIZE	A4	比例/SCALE	2:1
名称/TITLE	第三视图/THIRD ANGLE PROJECTION				WJ0001-08XX-1YY-00A



慈溪市万捷电子有限公司
CIXI WANJIE ELECTRONIC CO., LTD