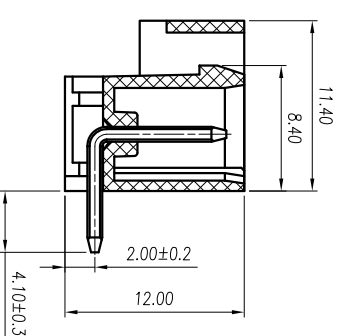
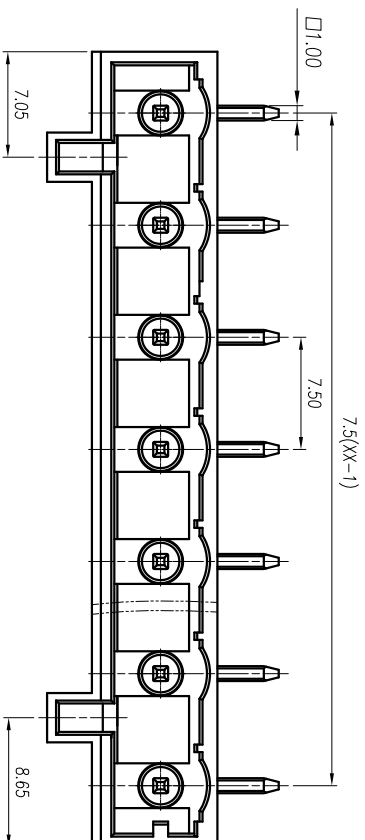
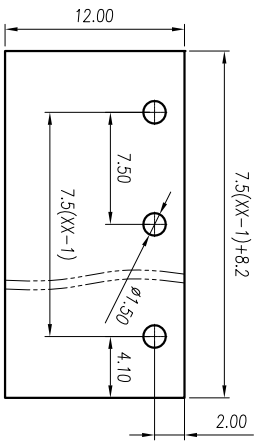




慈溪市万捷电子有限公司

CIXI WANJIE ELECTRONIC CO., LTD

产品规格书
THE SPEC SHEET



参考标准/Standard UL IEC
 额定电压/Rated voltage 300V 450V
 额定电流/Rated current 15A 20A
 接触电阻/Contact resistance 20mΩ
 绝缘电阻/Insulation resistance 500MΩ/DC500V
 耐电压/With standing voltage AC 2000V/1 Min
 机械性能/Mechanical
 温度范围/Temp Range -40°C~+105°C
 瞬时温度/MAX Soldering +250°C for 5 Sec
 尺寸/Dimensions
 间距/Pitch 7.5mm
 极数/Poles 2-24p
 材质及电镀/Material PA66, UL94V-0
 塑件/Housing Brass, Tin plated
 焊脚/Pin header

| linear dimension | Tolerances Standard GB/T 14486-2008 | | | | | | | | | | | | | | | |
|------------------|-------------------------------------|-------|-------|-------|-------|-------|-------|--------|--------|--------|--------|-----|-------|------|-------|--------|
| tolerance | ±0.1 | ±0.14 | ±0.19 | ±0.25 | ±0.32 | ±0.43 | ±0.57 | ±0.72 | ±0.88 | ±1.05 | ±1.25 | 0.5 | 0.025 | 0.06 | 0.12 | 0.4 |
| variable range | 6 to | 6 to | 10 to | 18 to | 30 to | 50 to | 80 to | 120 to | 160 to | 200 to | 250 to | all | 5 to | 5 to | 30 to | 120 to |

单位/UNITS mm 尺寸/SIZE A4 比例/SCALE 2.5:1

第三视图/THIRD ANGLE PROJECTION



慈溪市万捷电子有限公司
CIXI WANJIE ELECTRONIC CO., LTD

名称/TITLE

WJ0602-06XX-1YY-00A