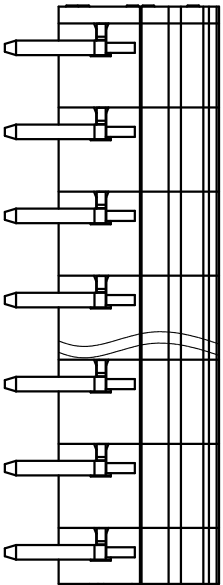
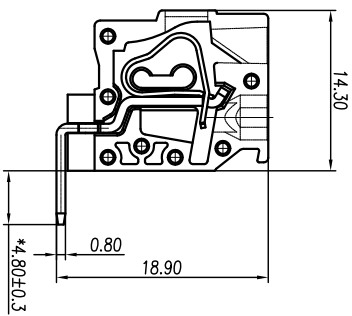
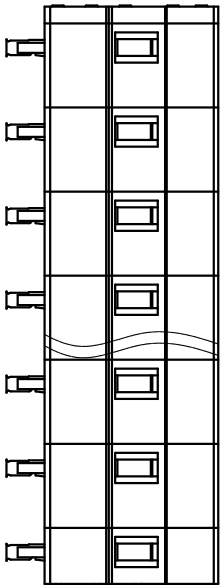
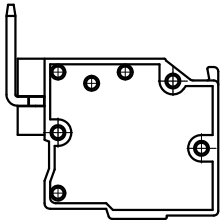
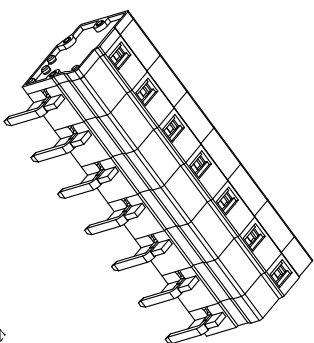
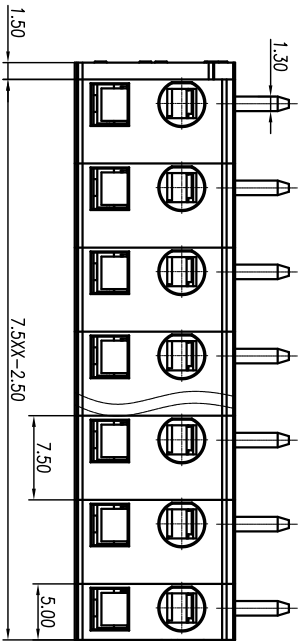




慈溪市万捷电子有限公司 CIXI WANJIE ELECTRONIC CO., LTD

产品规格书
THE SPEC SHEET



	linear dimension(Tolerances Standard GB/T 14486-2008)												≡	—	□	//	⊥
tolerance	±0.1	±0.14	±0.19	±0.25	±0.32	±0.43	±0.57	±0.72	±0.88	±1.05	±1.25	0.5	0.025	0.06	0.12	0.4	
variable range	6 to	6 to 10	10 to 18	18 to 30	30 to 50	50 to 80	80 to 120	120 to 160	160 to 200	200 to 250	250 to	all	5 to	5 to 30	30 to 120	120 to	

参考标准/Standard

额定电压/Rated voltage UL 300V IEC 250V

额定电流/Rated current 15A 16A

接触电阻/Contact resistance 20mΩ

绝缘电阻/Insulation resistance 500MΩ/DC500V

使用线径/Wire range 28-12AWG 2.5mm²

耐电压/With standing voltage AC 2000V/1 Min

机械性能/Mechanical

剥线长度/Strip Length 8-9mm

温度范围/Temp Range -40°C~+105°C

尺寸/Dimensions

间距/Pitch 7.5mm

极数/Poles 2-24P

材料及电镀/Material PA66, UL94V-0

塑件/Housing Stainless steel

弹片/Wire guard Red copper, Tin plated

导电针/Conductor

单位/UNITS mm 尺寸/SIZE A4 比例/SCALE 1:5.1

第三视图/THIRD ANGLE PROJECTION



名称/TITLE WJ0604-02XX-1YY-00A