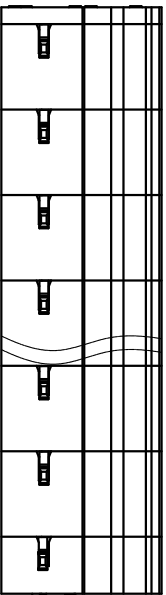
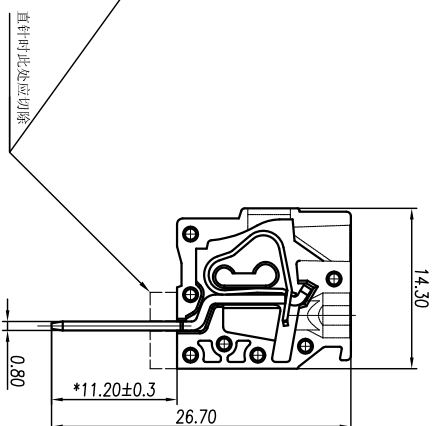
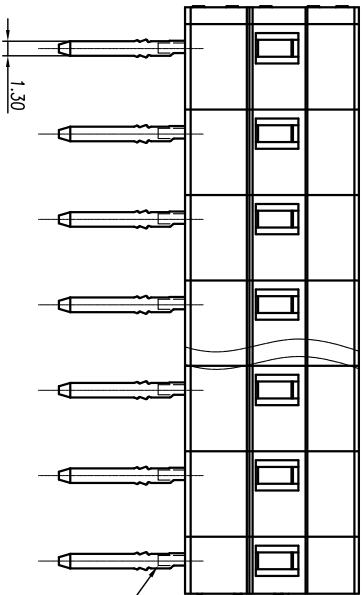
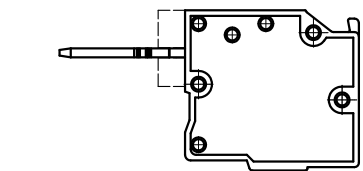
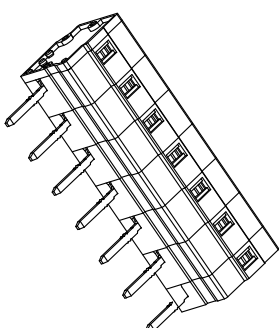
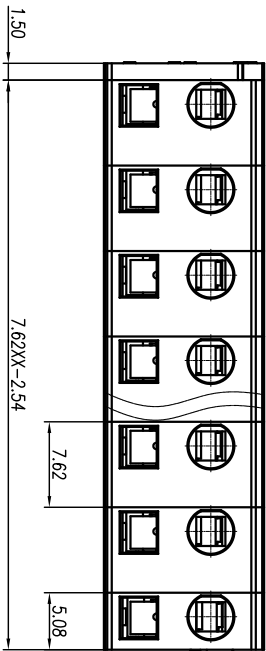


慈溪市万捷电子有限公司 CIXI WANJIE ELECTRONIC CO., LTD

产品规格书
THE SPEC SHEET



参考标准/Standard	UL	IEC
额定电压/Rated voltage	300V	250V
额定电流/Rated current	15A	16A
接触电阻/Contact resistance	20mΩ	
绝缘电阻/Insulation resistance	500MΩ /DC500V	
使用线径/Wire range	28~12AWG	2.5mm ²
耐电压/With standing voltage	AC 2000V/1 Min	
机械性能/Mechanical		
剥线长度/Strip Length	8-9mm	
温度范围/Temp. Range	-40°C~+105°C	
尺寸/Dimensions		
间距/Pitch	7.62mm	
极数/Poles	2-24p	
材质及电镀/Material	PA66, UL94V-0	
塑件/Housing	Stainless steel	
弹片/Wire guard	Red copper, Tin plated	
导电针/Conductor		

	linear dimension(Tolerances Standard GB/T 14486-2008)												≡	—	□	//	⊥
tolerance	±0.1	±0.14	±0.19	±0.25	±0.32	±0.43	±0.57	±0.72	±0.88	±1.05	±1.25	0.5	0.025	0.06	0.12	0.4	
variable range	6 to	6 to	10 to	18 to	30 to	50 to	80 to	120 to	160 to	200 to	250 to	all	5 to	5 to	30 to	120 to	
tolerance	±0.1	±0.14	±0.19	±0.25	±0.32	±0.43	±0.57	±0.72	±0.88	±1.05	±1.25	0.5	0.025	0.06	0.12	0.4	

单位/UNITS	mm	尺寸/SIZE	A4	比例/SCALE	1:5.1
 慈溪市万捷电子有限公司 CIXI WANJIE ELECTRONIC CO., LTD					

名称/TITLE	第三视图/THIRD ANGLE PROJECTION
WJ0704-01XX-1YY-00A	