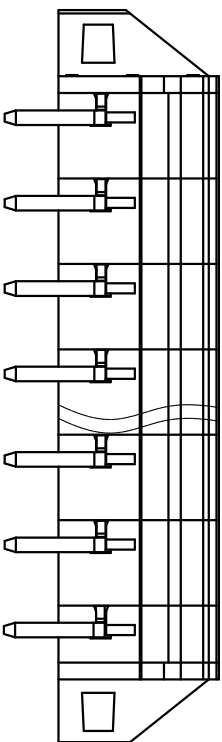
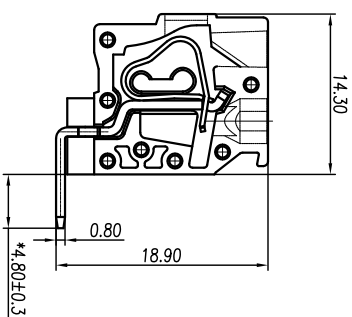
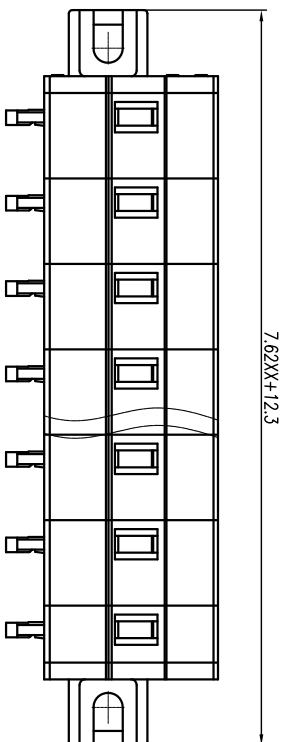
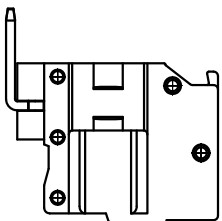
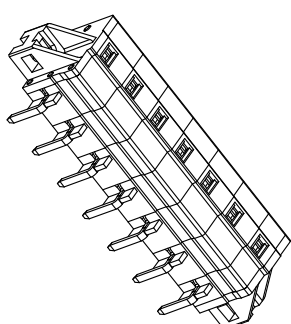
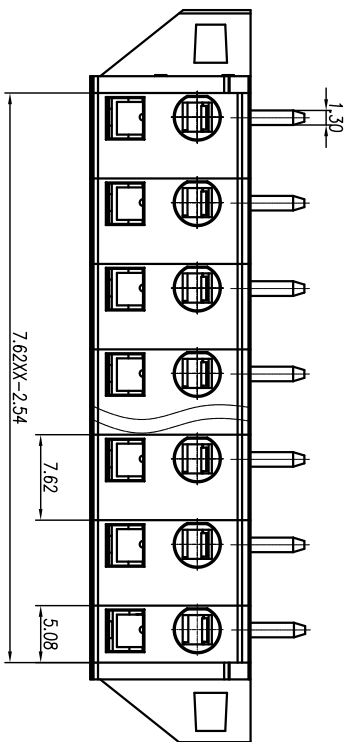


慈溪市万捷电子有限公司 CIXI WANJIE ELECTRONIC CO., LTD

产品规格书
THE SPEC SHEET



参考标准/Standard	UL	IEC
额定电压/Rated voltage	300V	250V
额定电流/Rated current	15A	16A
接触电阻/Contact resistance	20mΩ	
绝缘电阻/Insulation resistance	500MΩ/DC500V	
使用线径/Wire range	28~12AWG	2.5mm ²
耐压/Wrth standing voltage	AC 2000V/1 Min	
机械性能/Mechanical		
剥线长度/Strip Length	8-9mm	
温度范围/Temp.Range	-40°C~+105°C	

尺寸/Dimensions	7.62mm
间距/Pitch	2.24p
极数/Poles	PA66, UL94V-0
材质及电镀/Material	Stainless steel
塑件/Housing	Red copper, Tin plated
弹片/Wire guard	
导电针/Conductor	

tolerance	±0.1	±0.14	±0.19	±0.25	±0.32	±0.43	±0.57	±0.72	±0.88	±1.05	±1.25	0.5	0.025	0.06	0.12	0.4
	over 6 to 10	over 10 to 18	over 18 to 30	over 30 to 50	over 50 to 80	over 80 to 120	over 120 to 160	over 160 to 200	over 200 to 250	over 250 to 300	over 300 to 400	all to 5	over 5 to 30	over 30 to 120	over 120 to 180	over 180 to 250

单位/UNITS	mm	尺寸/SIZE	A4	比例/SCALE	1:5.1
第三视图/THIRD ANGLE PROJECTION					
名称/TITLE	WJ0704-04XX-1YY-00A				



慈溪市万捷电子有限公司
CIXI WANJIE ELECTRONIC CO., LTD