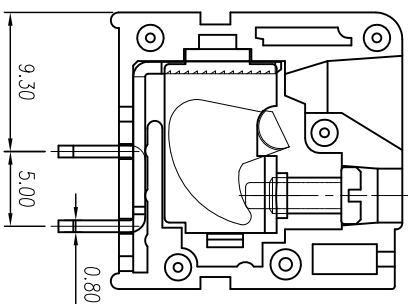
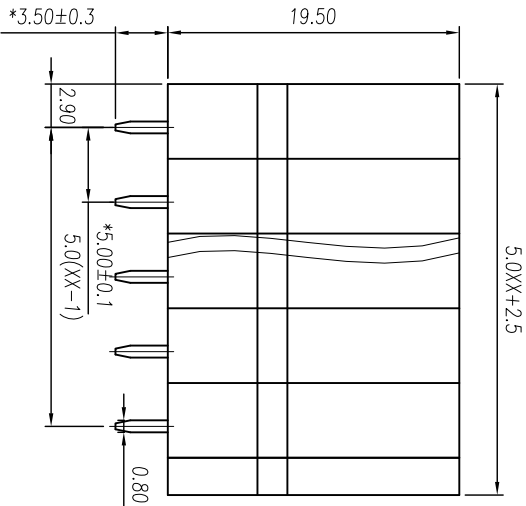
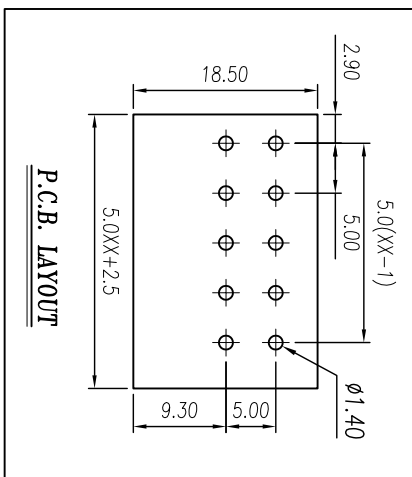
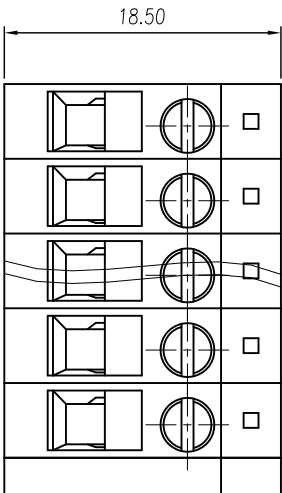




慈溪市万捷电子有限公司 CIXI WANJIE ELECTRONIC CO., LTD

产品规格书
THE SPEC SHEET



	linear dimension(Tolerances Standard GB/T 14486-2008)												≡	—	□	//	⊥					
variable range	6 to	6 to	10 to	10 to	18 to	30 to	30 to	50 to	50 to	80 to	120 to	160 to	200 to	200 to	250 to	250 to	all	5 to	5 to	30 to	120 to	
tolerance	±0.1	±0.14	±0.19	±0.25	±0.32	±0.43	±0.57	±0.72	±0.88	±1.05	±1.25	0.5	0.025	0.06	0.12	0.4						

参考标准/Standard	UL	IEC
额定电压/Rated voltage	300V	250V
额定电流/Rated current	20A	24A
接触电阻/Contact resistance	20mΩ	
绝缘电阻/Insulation resistance	500MΩ/DC500V	
使用线径/Wire range	24~12AWG	2.5mm ²
耐电压/With standing voltage	AC 2000V/1 Min	

机械性能/Mechanical

扭矩/Torque	0.4Nm(3.6lbin)
温度范围/Temp Range	-40°C~+105°C

瞬时温度/MAX Soldering	+250°C, for 5 Sec
剥线长度/Strip Length	12-13mm

尺寸/Dimensions

间距/Pitch	5.0mm
极数/Poles	2~30p

材质及电镀/Material

塑件/Housing	PA66, UL94V-0
螺丝/Screws	M2.5 Steel Zn plated
焊脚/Pin header	Brass 0.8t Tin plated
方块/Cage	Steel Zn plated
滑块/Slide block	Steel Zn plated

单位/UNITS	mm	尺寸/SIZE	A4	比例/SCALE	2:1
慈溪市万捷电子有限公司 CIXI WANJIE ELECTRONIC CO., LTD					
名称/TITLE	第三视图/THIRD ANGLE PROJECTION				
	WJ105V-5.0-XXP-1YY-00A				