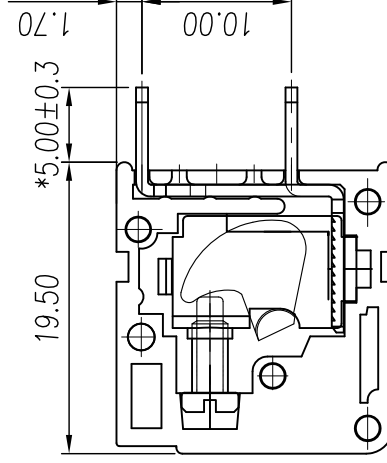
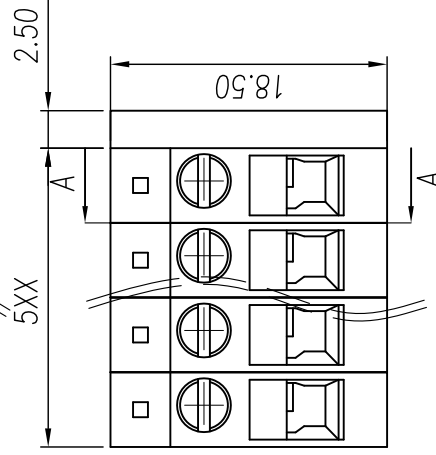
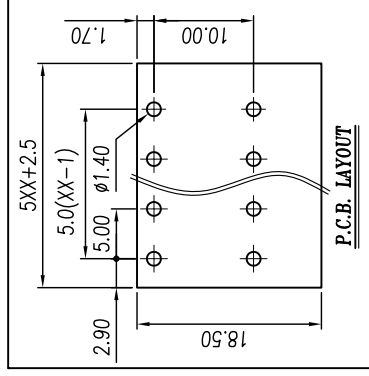
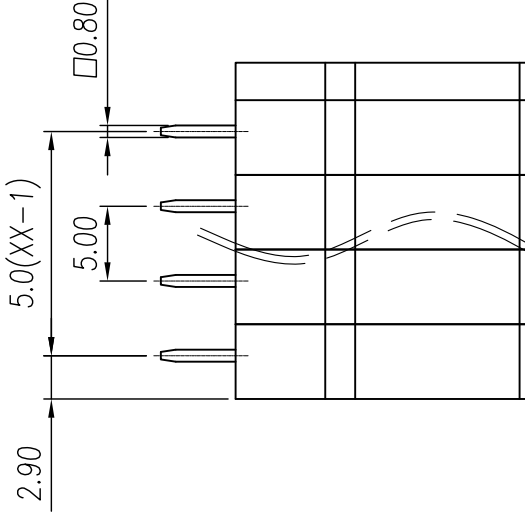




慈溪市万捷电子有限公司 CIXI WANJIE ELECTRONIC CO., LTD

产品规格书 THE SPEC SHEET



参考标准/ Standard	UL	IEC
额定电压/ Rated voltage	300V	250V
额定电流/ Rated current	20A	24A
接触电阻/ Contact resistance	20mΩ	
绝缘电阻/ Insulation resistance	500MΩ/DC500V	
使用线径/ Wire range	24~12AWG	2.5mm ²
耐压/ Wrth standing voltage	AC 2000V/1 Min	
机械性能/ Mechanical		
最大扭矩/ Torque(Max)	0.4Nm(3.6Lb.in)	
温度范围/ Temp.Range	-40°C~+105°C	
瞬时温度/ MAX Soldering	+250°C, for 5 Sec	
剥线长度/ Steip Length	12-13mm	
尺寸/ Dimensions		
间距/ Pitch	5.0mm	
极数/ Poles	2~30p	
材质及电镀/ Material	PA66, UL94V-0	
塑件/ Housing	M2.5 Steel Zn plated	
螺丝/ Screws	Copper 0.8t Tin plated	
焊脚/ Pin header	Steel Zn plated	
方块/ Cage	Steel Zn plated	
滑块/ Slide block	Steel Zn plated	

variable range	linear dimension(Tolerances Standard GB/T 14486-2008)																	
	6 to 6	10 to 18	18 to 30	30 to 50	50 to 80	80 to 120	120 to 160	160 to 200	200 to 250	250 to 300								
tolerance	±0.1	±0.14	±0.19	±0.25	±0.32	±0.43	±0.57	±0.72	±0.88	±1.05	±1.25	0.5	all to	5 to 5	5 to 120	0.06	0.12	0.4

单位/ UNITS	mm	尺寸/ SIZE	A4	比例/ SCALE	2:1
慈溪市万捷电子有限公司 CIXI WANJIE ELECTRONIC CO., LTD					
第三视图 THIRD ANGLE PROJECTION					
名称/ TITLE	WJ105VA-5.0-XXP-1YY-00A				