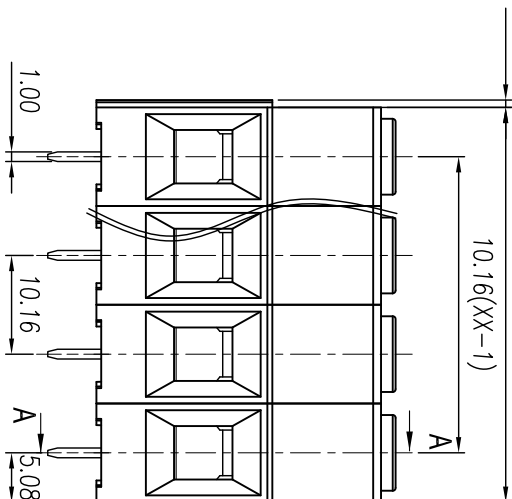
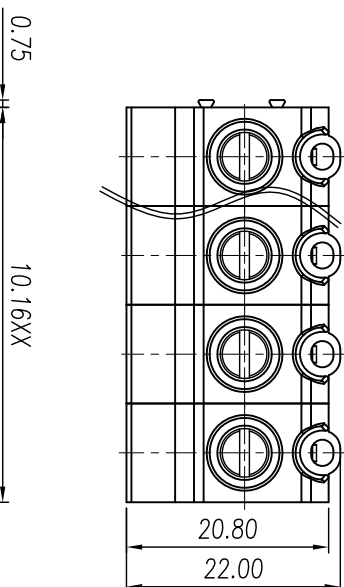
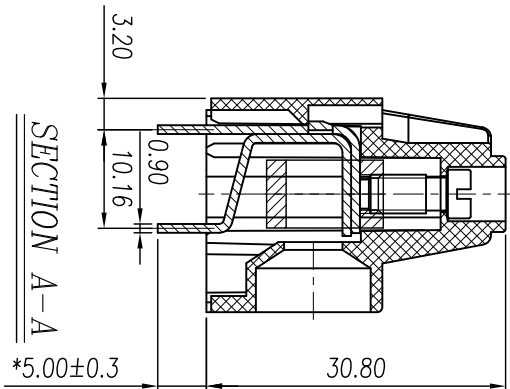
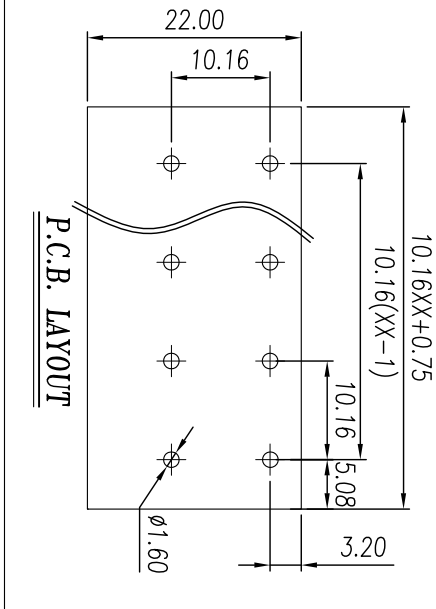




# 慈溪市万捷电子有限公司 CIXI WANJIE ELECTRONIC CO., LTD

产品规格书  
THE SPEC SHEET



### 电气性能/Electrical

参考标准/Standard

UL IEC

额定电压/Rated voltage

300V 630V

额定电流/Rated current

65A 76A

接触电阻/Contact resistance

20mΩ

绝缘电阻/Insulation resistance

500MΩ/DC500V

使用线径/Wire range

20~6AWG 10mm<sup>2</sup>

耐电压/Wrth standing voltage

AC 2500V/1 Min

### 机械性能/Mechanical

扭矩/Torque

1.2Nm(10.6Lb.in)

温度范围/Temp.Range

-40°C~+105°C

瞬时温度/MAX Soldering

+250°C, for 5 Sec

### 尺寸/Dimensions

间距/Pitch

10.16mm

极数/Poles

1~XXP

### 材质及电镀/Material

塑料/Housing

PA66, UL94V-0

螺丝/Screws

M4.0 Steel Zn plated

焊脚/Pin header

Copper Alloy, Tin plated

方块/Cage

Brass Ni plated

linear dimension(Tolerances Standard GB/T 14486-2008)

	over	over	over	over	over	over	over	over	over	over	over	over	over	over	over	over	over	over	all	over	over	over
tolerance	±0.1	±0.14	±0.19	±0.25	±0.32	±0.43	±0.57	±0.72	±0.88	±1.05	±1.25	0.5	0.025	0.06	0.12	0.4			≡		∟	∟
variable range	6 to 10	10 to 18	18 to 30	30 to 50	50 to 80	80 to 120	120 to 160	160 to 200	200 to 250	250 to 250	5 to 5	5 to 30	30 to 120	120 to 120								

第三视图/THIRD ANGLE PROJECTION



慈溪市万捷电子有限公司  
CIXI WANJIE ELECTRONIC CO., LTD

名称/TITLE  
WJ116VK-10.16-XXP-1YY-00A