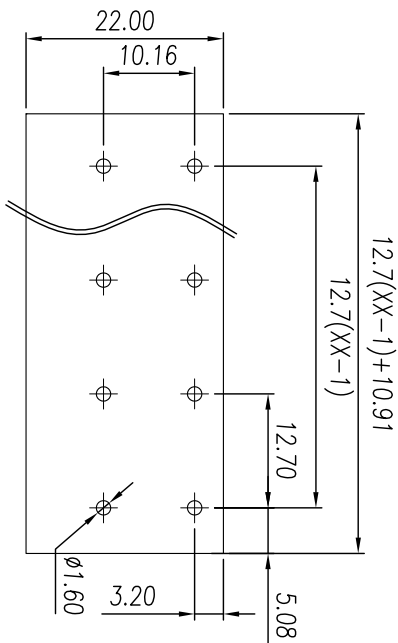


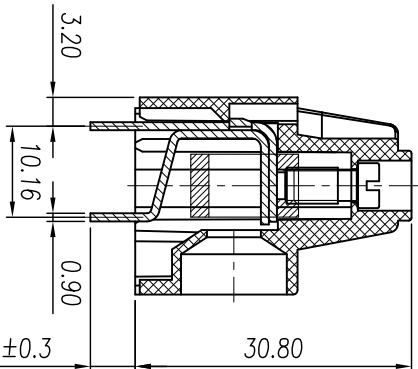


# 慈溪市万捷电子有限公司 CIXI WANJIE ELECTRONIC CO., LTD

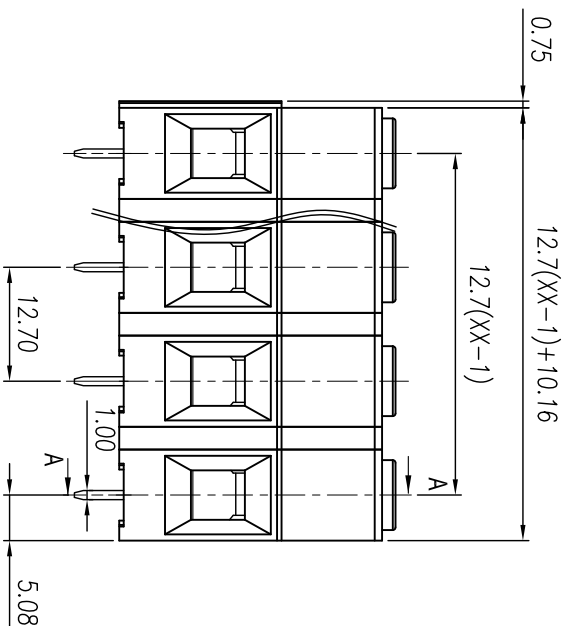
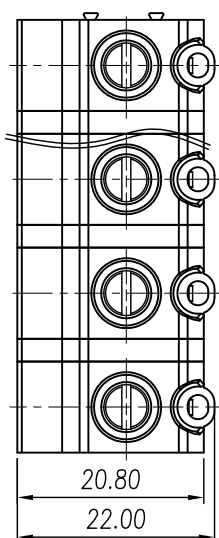
产品规格书  
THE SPEC SHEET



**P.C.B. LAYOUT**



**SECTION A-A**



电气性能/Electrical	
参考标准/Standard	UL IEC
额定电压/Rated voltage	600V 630V
额定电流/Rated current	65A 76A
接触电阻/Contact resistance	20mΩ
绝缘电阻/Insulation resistance	500MΩ /DC,500V
使用线径/Wire range	20~6AWG 10mm <sup>2</sup>
耐电压/With standing voltage	AC 2500V/1 Min
机械性能/Mechanical	
扭矩/Torque	1.2Nm(10.6Lb.in)
温度范围/Temp Range	-40°C~+105°C
瞬耐温度/MAX Soldering	+250°C, for 5 Sec
尺寸/Dimensions	
间距/Pitch	12.70mm
极数/Poles	1~XXP
材料及电镀/Material	PA66, UL94V-0
塑件/Housing	M4.0 Steel Zn plated
螺丝/Screws	Copper Alloy, Tin plated
焊脚/Pin header	Brass Ni plated
方块/Cage	

tolerance	±0.1	±0.14	±0.19	±0.25	±0.32	±0.43	±0.57	±0.72	±0.88	±1.05	±1.25	0.5	0.025	0.06	0.12	0.4
	over 6 to 6	over 10 to 10	over 18 to 18	over 30 to 30	over 50 to 50	over 80 to 80	over 120 to 120	over 160 to 160	over 200 to 200	over 250 to 250	all to 5	over 5 to 5	over 30 to 30	over 120 to 120		

linear dimension(Tolerances Standard GB/T 14486-2008)

单位/UNITS mm 尺寸/SIZE A4 比例/SCALE 1:2.1



慈溪市万捷电子有限公司  
CIXI WANJIE ELECTRONIC CO., LTD

第三视图 THIRD ANGLE PROJECTION



名称/TITLE WJ116WK-12.7-XXP-1YY-00A