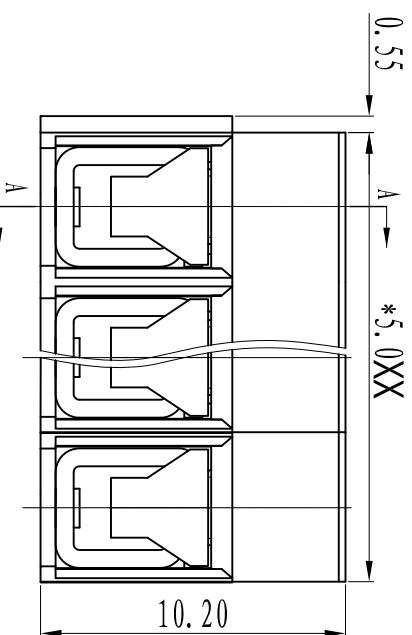
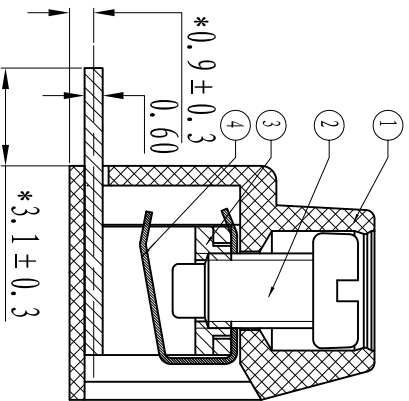
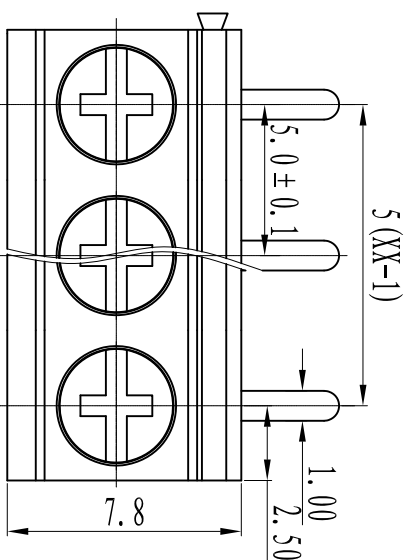
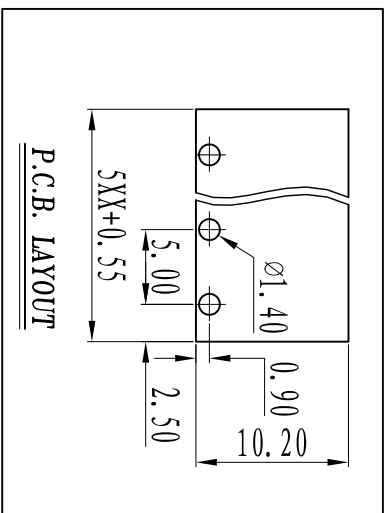




慈溪市万捷电子有限公司 CIXI WANJIE ELECTRONIC CO., LTD

产品规格书
THE SPEC SHEET



电气性能/Electrical

参考标准/Standard	UL	IEC
额定电压/Rated voltage	300V	250V
额定电流/Rated current	8A	15A
接触电阻/Contact resistance	20mΩ	
绝缘电阻/Insulation resistance	500MΩ/DC500V	
使用线径/Wire range	26~14AWG	1.5mm ²
耐电压/With standing voltage	AC 2000V/1 Min	

机械性能/Mechanical

扭矩/Torque	3 Kgf·cm
温度范围/Temp.Range	-40°C~+105°C
瞬时温度/MAX Soldering	+250°C, for 5 Sec
剥线长度/Strip Length	6-7mm
尺寸/Dimensions	
间距/Pitch	5.0mm
极数/Poles	2-24p
材质及电镀/Material	PA66, UL94V-0
塑件/Housing	M2.5 Steel Zn plated
螺丝/Screws	Brass, Tin plated
焊脚/Pin header	Phosphor bronze, Ni plated
弹片/Shrapnel	

linear dimension(Tolerances Standard GB/T 14486-2008)	≡	—	□	//	⊥											
tolerance	±0.1	±0.14	±0.19	±0.25	±0.32	±0.43	±0.57	±0.72	±0.88	±1.05	±1.25	0.5	0.025	0.06	0.12	0.4
variable range	6 to 10	6 to 10	10 to 18	18 to 30	30 to 50	50 to 80	80 to 120	120 to 160	160 to 200	200 to 250	250 to 300	all	5 to 30	5 to 30	30 to 120	120 to 180

单位/UNITS mm 尺寸/SIZE A4 比例/SCALE 4:1

慈溪市万捷电子有限公司
CIXI WANJIE ELECTRONIC CO., LTD

第三视图/THIRD ANGLE PROJECTION



名称/TITLE WJ126R-5.0-XXP-1YY-00A