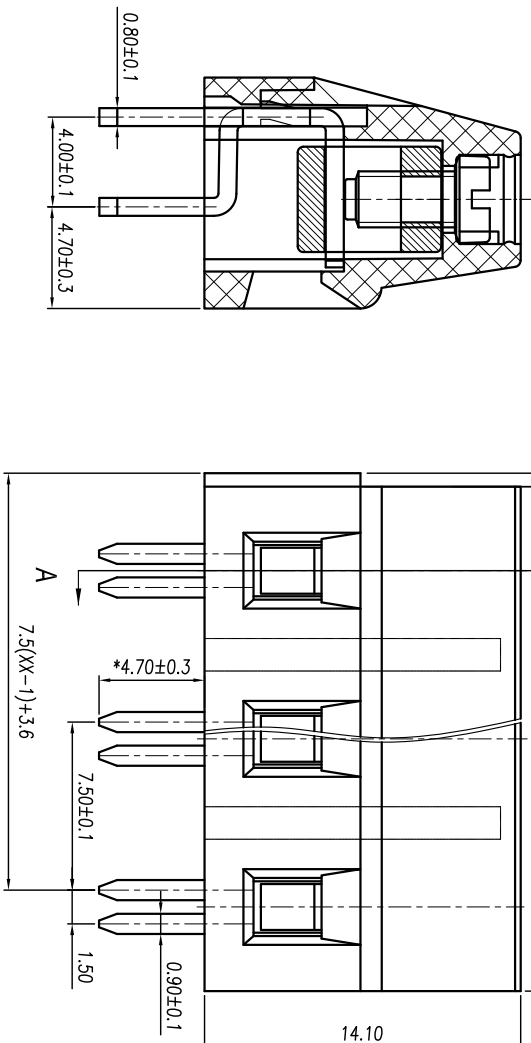
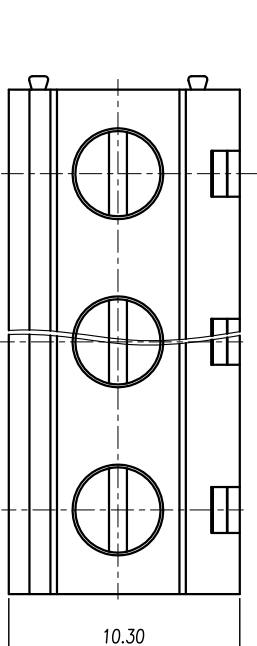
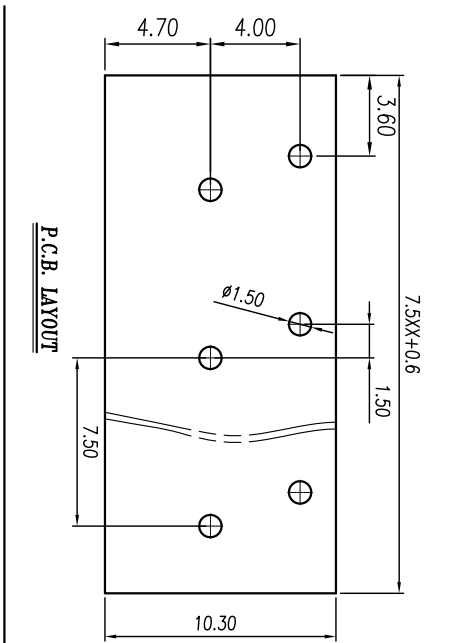




慈溪市万捷电子有限公司 CIXI WANJIE ELECTRONIC CO., LTD

产品规格书
THE SPEC SHEET



	linear dimension(Tolerances Standard GB/T 14486-2008)										≡	—	□	//	⊥	
tolerance	±0.1	±0.14	±0.19	±0.25	±0.32	±0.43	±0.57	±0.72	±0.88	±1.05	±1.25	0.5	0.025	0.06	0.12	0.4
variable range	6 to 10	6 to 10	10 to 18	18 to 30	30 to 50	50 to 80	80 to 120	120 to 160	160 to 200	200 to 250	250 to 250	all	5 to 5	5 to 30	30 to 120	120 to 120

单位 / UNITS	mm	尺寸 / SIZE	A4	比例 / SCALE	3:1
名称 / TITLE	第三视图/THIRD ANGLE PROJECTION				
名称 / TITLE	WJ128E-7.5-XP-1Y-00A				

参考标准 / Standard	UL	IEC
额定电压 / Rated voltage	300V	450V
额定电流 / Rated current	16A	18A
接触电阻 / Contact resistance	20mΩ	
绝缘电阻 / Insulation resistance	500MΩ / DC500V	
使用线径 / Wire range	22-12AWG	2.5mm ²
耐电压 / With standing voltage	AC 2000V/1 Min	
机械性能 / Mechanical		
扭矩 / Torque	0.4Nm(3.6lb.in)	
剥线长度 / Strip Length	6-7mm	
温度范围 / Temp. Range	-40°C~+105°C	
瞬时温度 / MAX Soldering	+250°C for 5 Sec	
尺寸 / Dimensions		
间距 / Pitch	7.5mm	
极数 / Poles	2-24p	
材质及电镀 / Material		
塑件 / Housing	PA66, UL94V-0	
螺丝 / Screws	M2.5 Steel, Zn plated	
焊脚 / Pin header	Brass, Tin plated	
方块 / Cage	Brass, Ni plated	



慈溪市万捷电子有限公司
CIXI WANJIE ELECTRONIC CO., LTD