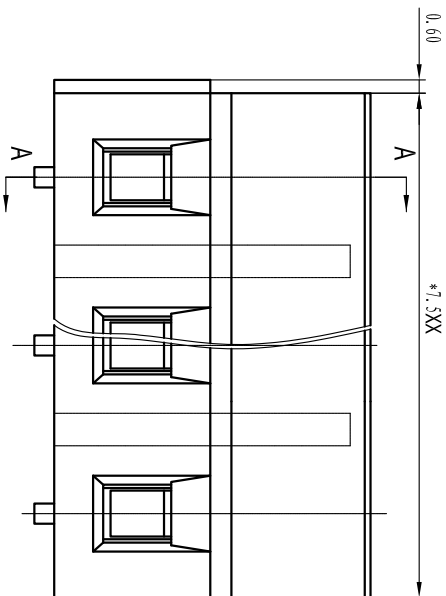
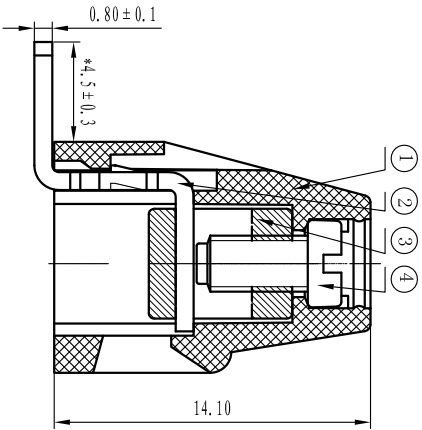
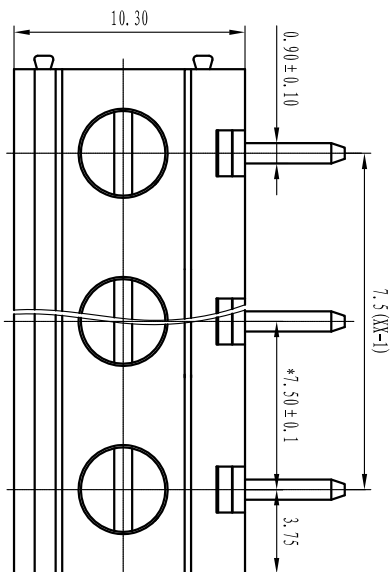
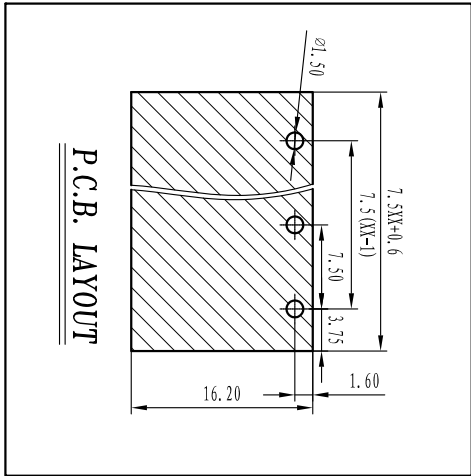




慈溪市万捷电子有限公司 CIXI WANJIE ELECTRONIC CO., LTD

产品规格书
THE SPEC SHEET



linear dimension	Tolerances Standard GB/T 14486-2008											
variable range	over 6 to 10	over 10 to 18	over 18 to 30	over 30 to 50	over 50 to 80	over 80 to 120	over 120 to 160	over 160 to 200	over 200 to 250	over 250 to 500	over 500 to 1000	over 1000 to 2000
tolerance	±0.1	±0.14	±0.19	±0.25	±0.32	±0.43	±0.57	±0.72	±0.88	±1.05	±1.25	0.5

电气性能/Electrical

参考标准/Standard	UL	IEC
额定电压/Rated voltage	300V	450V
额定电流/Rated current	10A	18A
接触电阻/Contact resistance	20mΩ	
绝缘电阻/Insulation resistance	500MΩ/DC500V	
使用线径/Wire range	22-12AWG	2.5mm ²
耐电压/With standing voltage	AC 2000V/1 Min	

机械性能/Mechanical

最大扭矩/Torque(Max)	0.4Nm(3.6lb.in)
剥线长度/Strip Length	6-7mm
温度范围/Temp. Range	-40°C~+105°C
瞬时温度/MAX Soldering	+250°C, for 5 Sec

尺寸/Dimensions

间距/Pitch	7.5mm
极数/Poles	2-24p

材质及电镀/Material

塑件/Housing	PA66, UL94V-0
螺丝/Screws	M2.5 Steel Zn plated
焊脚/Pin header	Brass, Tin plated
方块/Cage	Brass Ni plated

单位/UNITS	mm	尺寸/SIZE	A4	比例/SCALE	3:1
----------	----	---------	----	----------	-----



慈溪市万捷电子有限公司
CIXI WANJIE ELECTRONIC CO., LTD

第三视图/THIRD ANGLE PROJECTION



名称/TITLE
WJ128R-7.5-XXP-1YY-00A