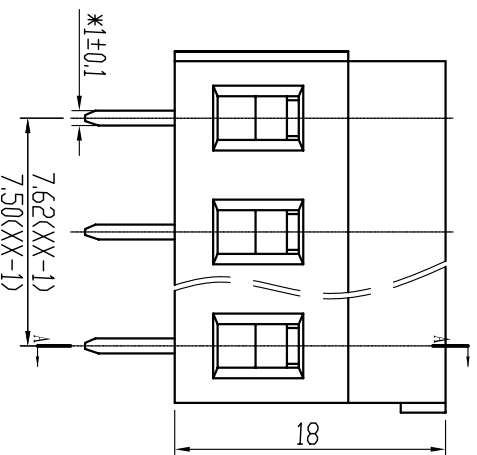
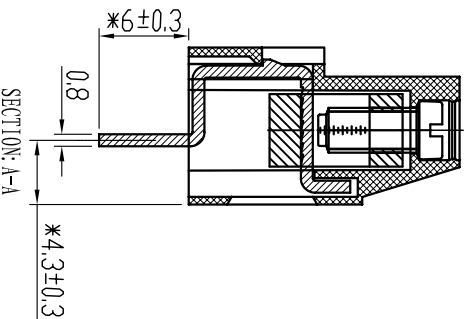
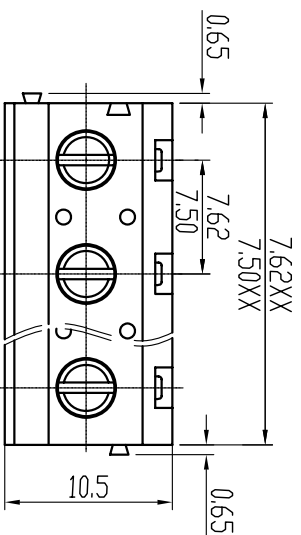
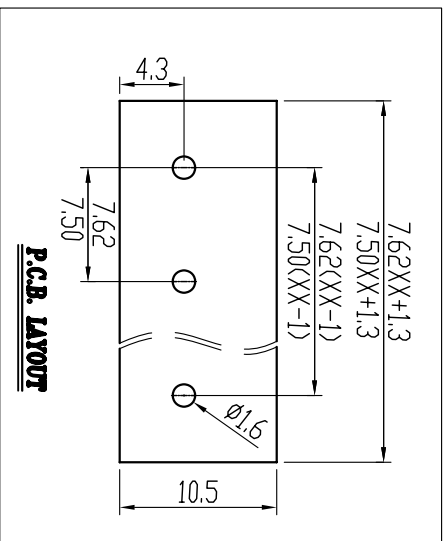




慈溪市万捷电子有限公司

CIXI WANJIE ELECTRONIC CO., LTD

产品规格书
THE SPEC SHEET



电气性能/Electrical

参考标准/Standard	UL	IEC
额定电压/Rated voltage	300V	250V
额定电流/Rated current	16A	24A
接触电阻/Contact resistance	20mΩ	
绝缘电阻/Insulation resistance	500MΩ/DC500V	
使用线径/Wire range	26-12AWG	2.5mm ²
耐压/With standing voltage	AC 2000V/1 Min	

机械性能/Mechanical

扭矩/Torque	0.5Nm(4.5Lb.in)
温度范围/Temp.Range	-40°C~+105°C
瞬时温度/MAX Soldering	+250°C, for 5 Sec
剥线长度/Steip Length	6-7mm
尺寸/Dimensions	7.50mm, 7.62mm
间距/Pitch	2-24p

材料及电镀/Material

极数/Poles	PA66, UL94V-0
塑件/Housing	M3.0 Steel, Zn plated
螺丝/Screws	Brass, Sn plated
焊脚/Pin header	Brass, Ni plated
方块/Wire guard	

variable range	tolerance	±0.1	±0.14	±0.19	±0.25	±0.32	±0.43	±0.57	±0.72	±0.88	±1.05	±1.25	0.5	0.025	0.06	0.12	0.4
	linear dimension(Tolerances Standard GB/T 14486-2008)	over 6 to 10	over 10 to 18	over 18 to 30	over 30 to 50	over 50 to 80	over 80 to 120	over 120 to 160	over 160 to 200	over 200 to 250	over 250 to 500	all	5 to 30	30 to 120	120 to 250	250 to 500	500 to 1000

单位/UNITS	mm
尺寸/SIZE	A4
比例/SCALE	2:1

慈溪市万捷电子有限公司
CIXI WANJIE ELECTRONIC CO., LTD

名称/TITLE	第三视图/THIRD ANGLE PROJECTION
TITLE	WJ129-7.50/7.62-XXP-1YY-00A