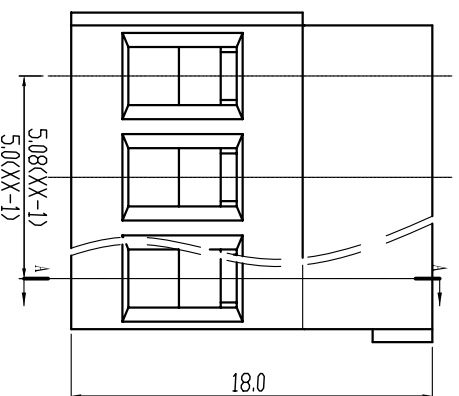
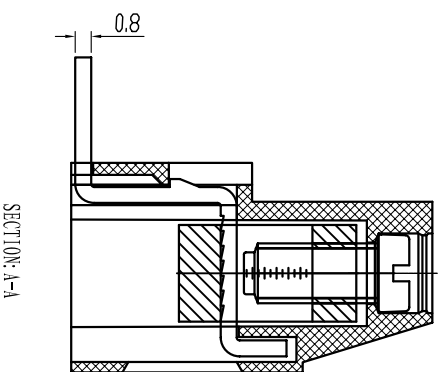
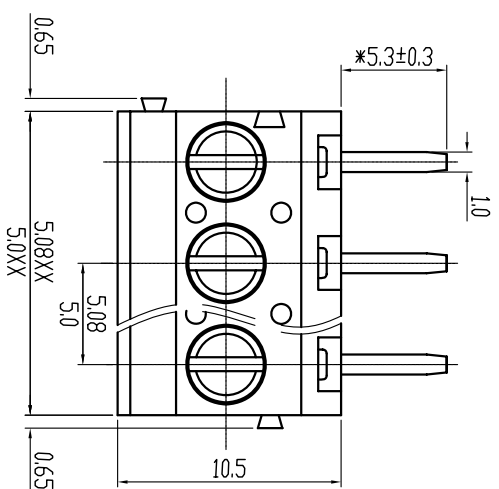
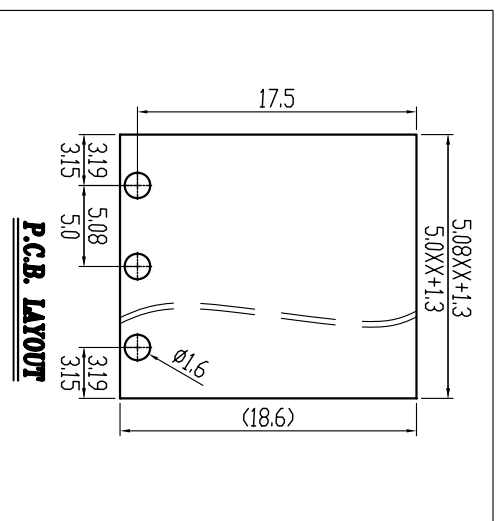




慈溪市万捷电子有限公司

CIXI WANJIE ELECTRONIC CO., LTD

产品规格书
THE SPEC SHEET



linear dimension	Tolerances	Standard	GB/T 14486-2008)	≡	—	□	//	⊥								
variable range	over 6 to 10	over 10 to 18	over 18 to 30	over 30 to 50	over 50 to 80	over 80 to 120	over 120 to 160	over 160 to 200	over 200 to 250	over 250 to 5	over 5 to 30	over 30 to 120	over 120 to 5	all to 5		
tolerance	±0.1	±0.14	±0.19	±0.25	±0.32	±0.43	±0.57	±0.72	±0.88	±1.05	±1.25	0.5	0.025	0.06	0.12	0.4

- 参考标准/Standard: UL IEC
- 额定电压/Rated voltage: 300V 250V
- 额定电流/Rated current: 16A 24A
- 接触电阻/Contact resistance: 20mΩ
- 绝缘电阻/Insulation resistance: 500MΩ/DC500V
- 使用线径/Wire range: 26~12AWG 2.5mm²
- 耐电压/Wrth standing voltage: AC 2000V/1 Min
- 机械性能/Mechanical: 0.5Nm(4.5lb.in)
- 最大扭矩/Torque(Max): 6-7mm
- 剥线长度/Steip Length: -40°C~+105°C
- 温度范围/Temp Range: +250°C, for 5 Sec
- 瞬时温度/MAX Soldering: 5.0mm, 5.08mm
- 尺寸/Dimensions: 2-24p
- 极数/Poles: PA66, UL94V-0
- 材料及电镀/Material: M3.0 Steel Zn plated
- 塑料/Housing: Brass 0.8t Tin plated
- 螺丝/Screws: Brass Ni plated
- 焊脚/Pin header
- 方块/Cage

单位/UNITS	mm	尺寸/SIZE	A4	比例/SCALE	8:3
名称/TITLE	第三视角/THIRD ANGLE PROJECTION				
名称/TITLE	慈溪市万捷电子有限公司 CIXI WANJIE ELECTRONIC CO., LTD				
名称/TITLE	WJ129R-5.015.08-XXP-1YY-00A				