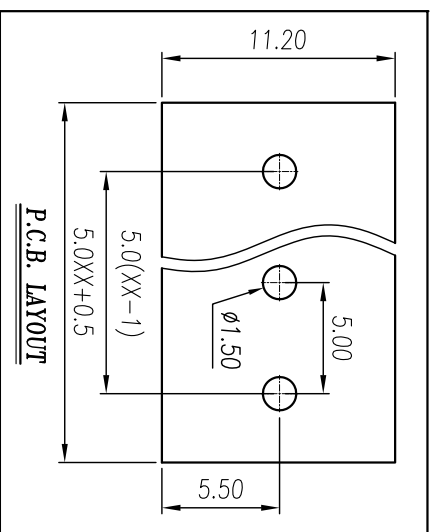
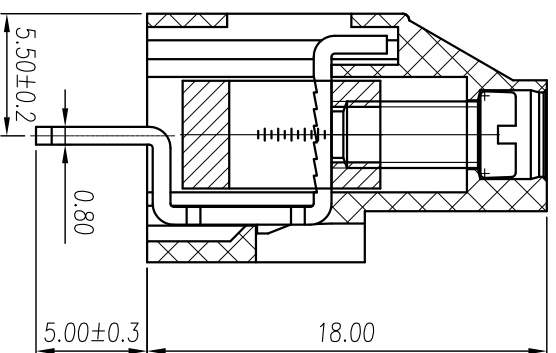
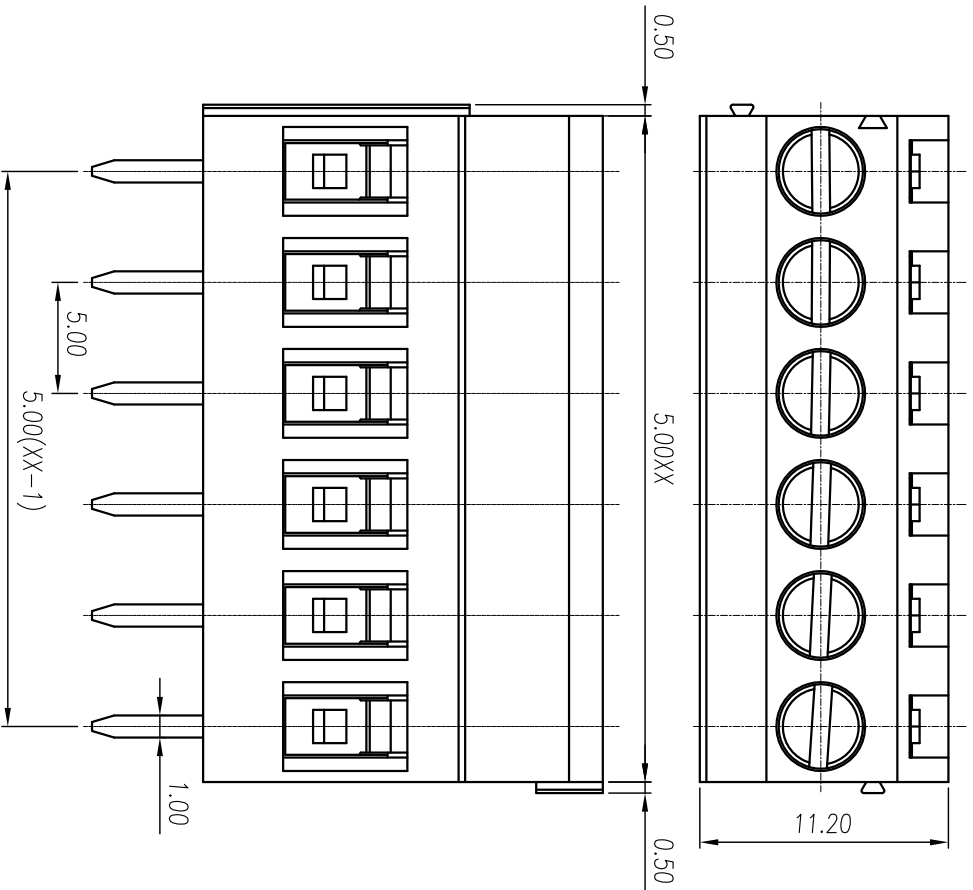




慈溪市万捷电子有限公司 CIXI WANJIE ELECTRONIC CO., LTD

产品规格书
THE SPEC SHEET



电气性能/Electrical

参考标准/Standard	UL	IEC
额定电压/Rated voltage	300V	250V
额定电流/Rated current	20A	24A
接触电阻/Contact resistance	20mΩ	
绝缘电阻/Insulation resistance	500MΩ/DC500V	
使用线径/Wire range	28-12AWG	2.5mm ²
耐电压/With standing voltage	AC 2000V/1 Min	
机械性能/Mechanical		
扭矩/Torque	0.5Nm(4.5Lb.in)	
温度范围/Temp Range	-40°C~+105°C	
瞬时温度/MAX Soldering	+250°C, for 5 Sec	
尺寸/Dimensions		
间距/Pitch	5.0mm	
极数/Poles	2-24 P	
材料及电镀/Material	PA66, UL94V-0	
塑件/Housing	M3.0 Steel Zn plated	
螺丝/Screws	Copper alloy Sn plated	
焊脚/Pin header		

linear dimension (Tolerances Standard GB/T 14486-2008)		≡		—		∠		∥		⊥	
tolerance	±0.1	±0.14	±0.19	±0.25	±0.32	±0.43	±0.57	±0.72	±0.88	±1.05	±1.25
variable range	6 to	6 to	10 to	10 to	18 to	30 to	50 to	80 to	80 to	120 to	160 to
	over	over	over	over	over	over	over	over	over	over	over
	6	10	18	30	50	80	120	160	200	250	300
	to	to	to	to	to	to	to	to	to	to	to
	all	5 to	5 to	5 to	5 to	5 to	5 to	5 to	5 to	5 to	5 to
	0.5	0.025	0.06	0.12	0.4	0.5	0.025	0.06	0.12	0.4	0.4



慈溪市万捷电子有限公司
CIXI WANJIE ELECTRONIC CO., LTD

单位/UNITS mm 尺寸/SIZE A4 比例/SCALE 3:1

第三视角 THIRD ANGLE PROJECTION



名称/TITLE WJ130-5.0-XP-1Y-00A