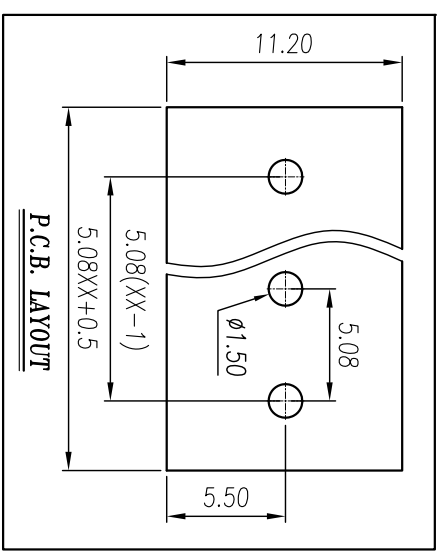
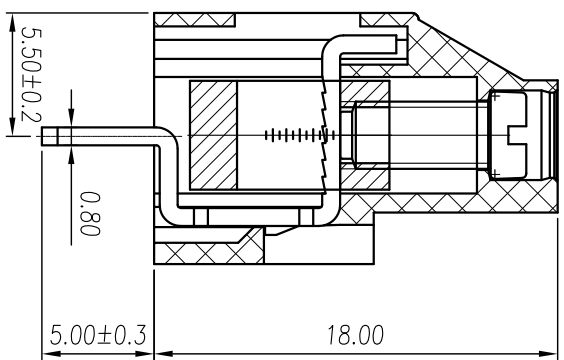
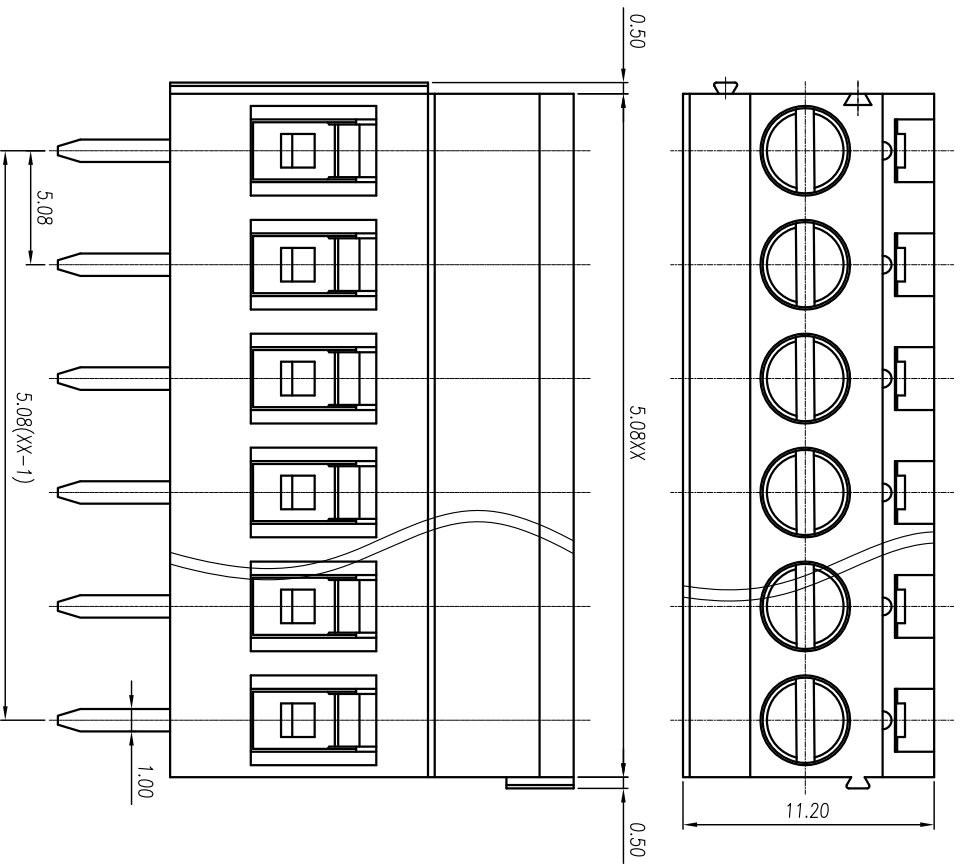




慈溪市万捷电子有限公司 CIXI WANJIE ELECTRONIC CO., LTD

产品规格书
THE SPEC SHEET



电气性能/Electrical

参考标准/Standard	UL	IEC
额定电压/Rated voltage	300V	250V
额定电流/Rated current	20A	24A
接触电阻/Contact resistance	20mΩ	
绝缘电阻/Insulation resistance	500MΩ /DC500V	
使用线径/Wire range	28~12AWG	2.5mm ²
耐电压/With standing voltage	AC 2000V/1 Min	

机械性能/Mechanical

扭矩/Torque	0.5Nm(4.5Lb.in)
温度范围/Temp Range	-40°C~+105°C
瞬时温度/MAX Soldering	+250°C, for 5 Sec

尺寸/Dimensions

间距/Pitch	5.08mm
极数/Poles	2~24 P

材质及电镀/Material

塑件/Housing	PA66, UL94V-0
螺丝/Screws	M3.0 Steel Zn plated
焊脚/Pin header	Copper alloy Sn plated

linear dimension(Tolerances Standard GB/T 14486-2008)	≡	—	□	∥	⊥											
tolerance	±0.1	±0.14	±0.19	±0.25	±0.32	±0.43	±0.57	±0.72	±0.88	±1.05	±1.25	0.5	0.025	0.06	0.12	0.4
variable range	6 to	6 to	10 to	18 to	30 to	50 to	80 to	120 to	160 to	200 to	250 to	all	5 to	5 to	30 to	120 to
over	6	10	18	30	50	80	120	160	200	250	5	5	30	30	120	

单位/UNITS	mm	尺寸/SIZE	A4	比例/SCALE	3:1
慈溪市万捷电子有限公司 CIXI WANJIE ELECTRONIC CO., LTD					
名称/TITLE	第三视角/THIRD ANGLE PROJECTION				WJ/30-5.08-XXP-1YY-00A