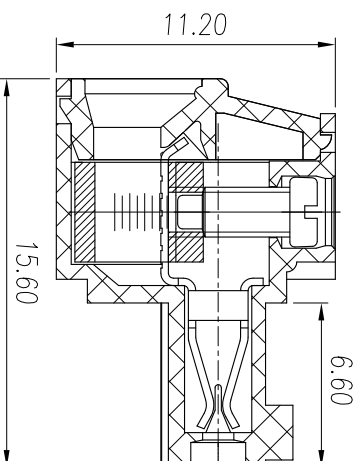
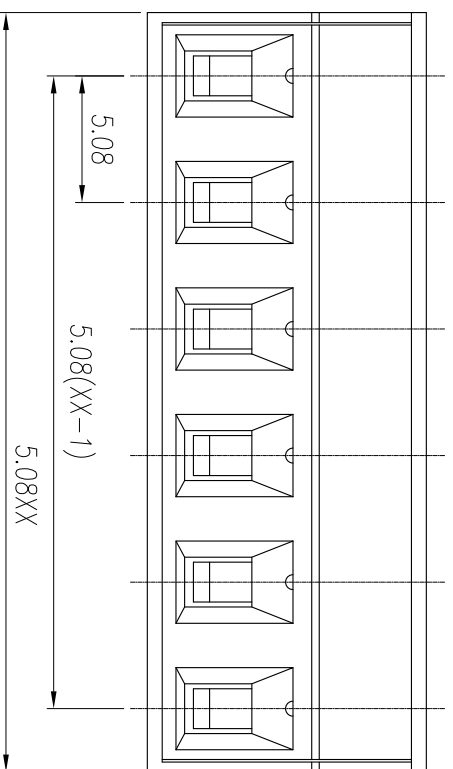
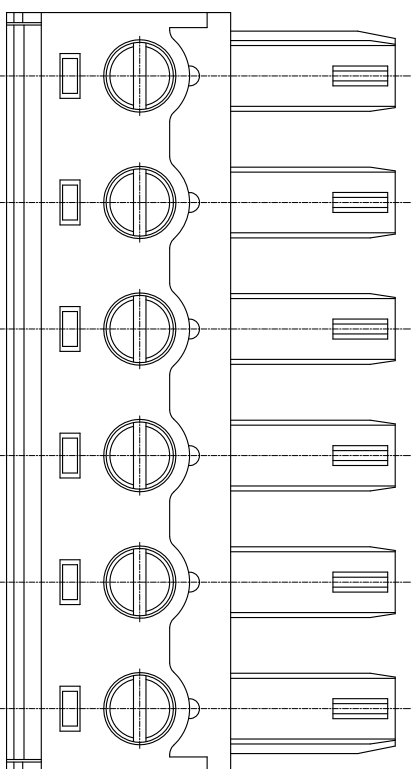




# 慈溪市万捷电子有限公司 CIXI WANJIE ELECTRONIC CO., LTD

产品规格书  
THE SPEC SHEET



参考标准/Standard	UL	IEC
额定电压/Rated voltage	300V	250V
额定电流/Rated current	8A	10A
接触电阻/Contact resistance	20mΩ	
绝缘电阻/Insulation resistance	500MΩ/DC500V	
使用线径/Wire range	28~16AWG	1.0mm <sup>2</sup>
耐电压/With standing voltage	AC 2000V/1 Min	
机械性能/Mechanical		
最大扭矩/Torque(Max)	0.2Nm(1.7Lb.in)	
剥线长度/Strip Length	6-7mm	
温度范围/Temp Range	-40°C~+105°C	

### 尺寸/Dimensions

间距/Pitch	5.08mm
极数/Poles	2-24p
材质及电镀/Material	PA66, UL94V-0
塑件/Housing	M2.0 Steel, Zn plated
螺丝/Screws	Phosphor bronze, Ni plated
夹子/Clamp	Brass, Ni plated
方块/Cage	

tolerance	±0.1	±0.14	±0.19	±0.25	±0.32	±0.43	±0.57	±0.72	±0.88	±1.05	±1.25	0.5	0.025	0.06	0.12	0.4	
	over	over	over	over	over	over	over	over	over	over	over	all	to	over	over	over	
variable range	6 to	6 to	10 to	18 to	30 to	50 to	80 to	120 to	160 to	200 to	250 to	5 to	5 to	5 to	30 to	120 to	
	linear dimension(Tolerances Standard GB/T 14486-2008)												≡	—	□	//	⊥

单位/UNITS	mm	尺寸/SIZE	A4	比例/SCALE	3:1
慈溪市万捷电子有限公司 CIXI WANJIE ELECTRONIC CO., LTD					
名称/TITLE	第三视角/THIRD ANGLE PROJECTION				
	WJ15EDGK-5.08-XXP-1YY-00A				