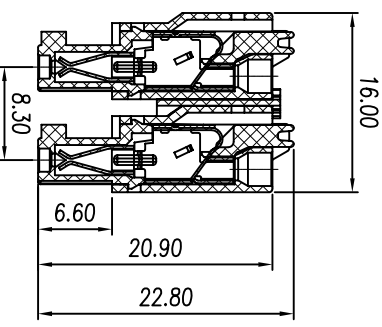
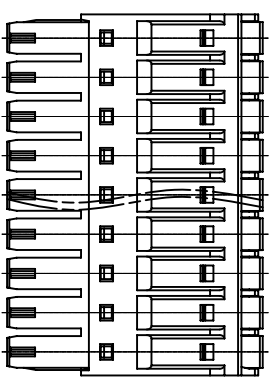
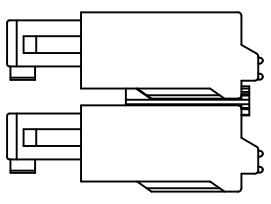
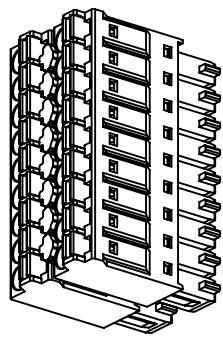
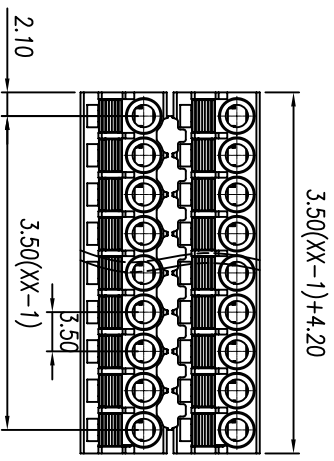




慈溪市万捷电子有限公司 CIXI WANJIE ELECTRONIC CO., LTD

产品规格书
THE SPEC SHEET

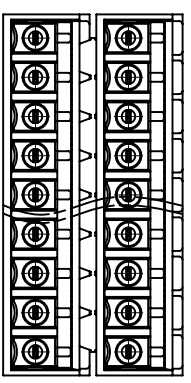


电 气 性 能 / Electrical

参考标准 / Standard: UL IEC
 额定电压 / Rated voltage: 300V 250V
 额定电流 / Rated current: 8A 10A
 接触电阻 / Contact resistance: 20mΩ
 使用线径 / Wire range: 24-16AWG 1.0mm²
 耐电压 / Withstanding voltage: AC2000V/1Min
 绝缘电阻 / Insulation resistance: 500MΩ/DC500V
 机 械 性 能 / Mechanical
 温度范围 / Temp Range: -40° C~+105° C
 剥线长度 / Strip length: 9-10mm

尺 寸 / Dimensions

间距 / Pitch: 3.5mm,
 极数 / Poles: 2P-24P
 材 质 及 电 镀 / Material
 塑 件 / Housing: PA66, UL94V-0
 夹 片 / Clamp: Phosphor bronze, Tin plated
 弹 片 / Strip: stainless steel



linear dimension (Tolerances Standard GB/T 14486-2008)	over 6 to 10	over 10 to 18	over 18 to 30	over 30 to 50	over 50 to 80	over 80 to 120	over 120 to 160	over 160 to 200	over 200 to 250	over 250 to all	over 5 to 30	over 30 to 120	over 120 to 120			
	±0.1	±0.14	±0.19	±0.25	±0.32	±0.43	±0.57	±0.72	±0.88	±1.05	±1.25	0.5	0.025	0.06	0.12	0.4
tolerance	±0.1	±0.14	±0.19	±0.25	±0.32	±0.43	±0.57	±0.72	±0.88	±1.05	±1.25	0.5	0.025	0.06	0.12	0.4

单位 / UNITS	mm	尺寸 / SIZE	A4	比例 / SCALE	1:5.1
慈溪市万捷电子有限公司 CIXI WANJIE ELECTRONIC CO., LTD					
名称 / TITLE	第三视角 / THIRD ANGLE PROJECTION				
WJ15EDGKM-B-3.5-2XXP-1YY-00A					