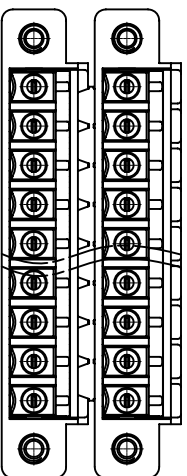
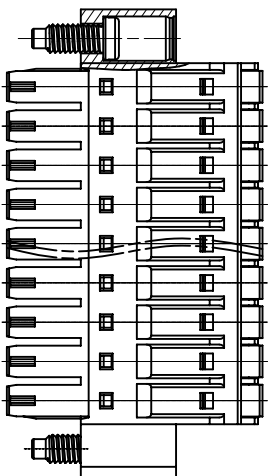
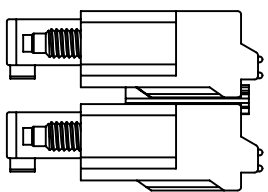
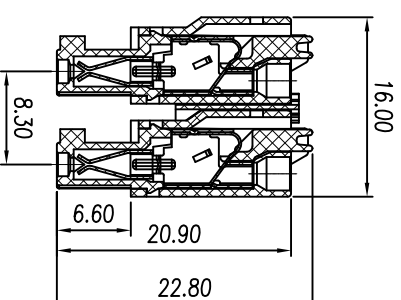
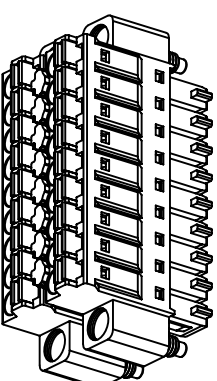
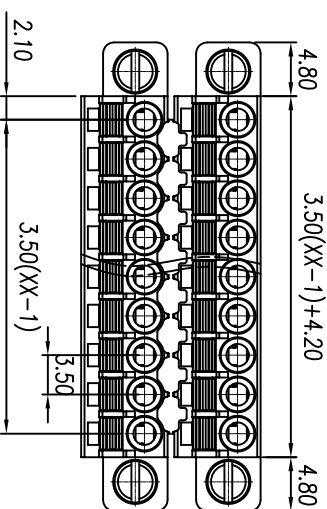




慈溪市万捷电子有限公司 CIXI WANJIE ELECTRONIC CO., LTD

产品规格书
THE SPEC SHEET



尺寸/Dimensions

间距/Pitch: 3.5mm,
极数/Poles: 2P-24P
材质及电镀/Material
塑件/Housing: PA66, UL94V-0
夹片/Clamp: Phosphor bronze, Sn plated
弹片/shrapnel: stainless steel
螺丝/Screw: M3, 0. steel Zn plated

电气性能/Electrical

参考标准/Standard: UL IEC
额定电压/Rated voltage: 300V 250V
额定电流/Rated current: 8A 10A
接触电阻/Contact resistance: 20mΩ
使用线径/Wire range: 24-16AWG 1.0mm²
耐电压/Withstanding voltage: AC2000V/1Min
绝缘电阻/Insulation resistance: 500MΩ/DC500V
机械性能/Mechanical
温度范围/Temp. Range: -40°C~+105°C
剥线长度/Strip length: 9-10mm

linear dimension(Tolerances Standard GB/T 14486-2008)

tolerance	±0.1	±0.14	±0.19	±0.25	±0.32	±0.43	±0.57	±0.72	±0.88	±1.05	±1.25	0.5	0.025	0.06	0.12	0.4
variable range	6 to	6 to 10	10 to 18	18 to 30	30 to 50	50 to 80	80 to 120	120 to 160	160 to 200	200 to 250	250 to	all	5 to	5 to 30	30 to 120	120 to
	over	over	over	over	over	over	over	over	over	over	over	≡	—	□	//	⊥

单位/UNITS mm 尺寸/ SIZE A4 比例/SCALE 1:5.1 第三视角/THIRD ANGLE PROJECTION



慈溪市万捷电子有限公司
CIXI WANJIE ELECTRONIC CO., LTD

名称/TITLE WJ5EJ3MM-B-3-2-XXP-1Y-00A