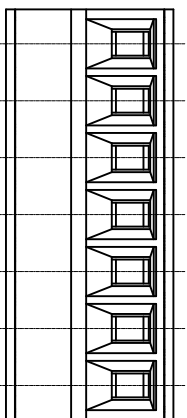


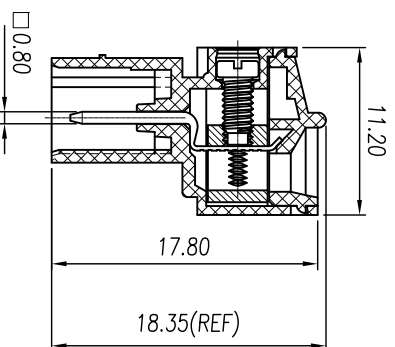
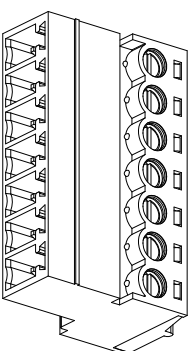
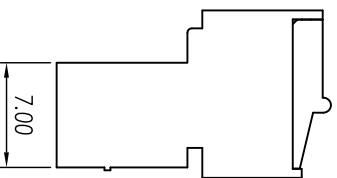
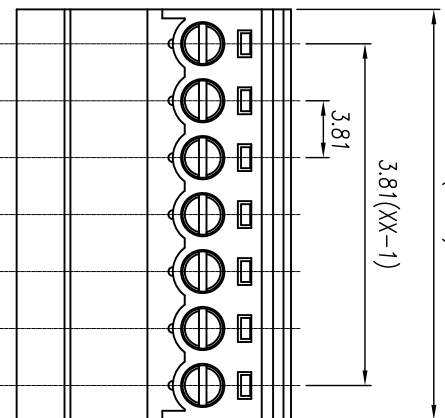


慈溪市万捷电子有限公司 CIXI WANJIE ELECTRONIC CO., LTD

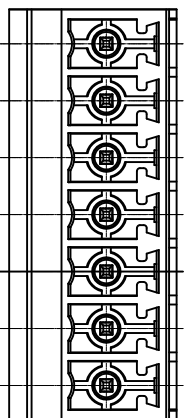
产品规格书
THE SPEC SHEET



3.81(XX-1)+4.6



参考标准/Standard	UL	IEC
额定电压/Rated voltage	300V	250V
额定电流/Rated current	8A	10A
接触电阻/Contact resistance	20mΩ	
绝缘电阻/Insulation resistance	500MΩ/DC500V	
使用线径/Wire range	28-16AWG	1.5mm ²
耐电压/With standing voltage	AC 2000V/1 Min	
机械性能/Mechanical		
扭矩/Torque	0.2Nm(1.77Lb.in)	
剥线长度/Strip Length	6-7mm	
温度范围/Temp. Range	-40°C~+105°C	
尺寸/Dimensions		
间距/Pitch	3.81mm	
极数/Poles	2-24p	
材质及电镀/Material		
塑件/Housing	PA66, UL94V-0	
螺丝/Screws	M2 Steel, Zn plated	
夹子/Clamp	Brass, Ni plated	
方块/Cage	Brass, Ni plated	



tolerance	±0.1	±0.14	±0.19	±0.25	±0.32	±0.43	±0.57	±0.72	±0.88	±1.05	±1.25	0.5	0.025	0.06	0.12	0.4
	over 6 to 10	over 10 to 18	over 18 to 30	over 30 to 50	over 50 to 80	over 80 to 120	over 120 to 160	over 160 to 200	over 200 to 250	over 250 to 300	over 300 to 400	all	to 5	to 30	to 120	

linear dimension(Tolerances Standard GB/T 14486-2008)

单位/UNITS mm 尺寸/SIZE A4 比例/SCALE 2:1

第三视图/THIRD ANGLE PROJECTION



慈溪市万捷电子有限公司
CIXI WANJIE ELECTRONIC CO., LTD

名称/TITLE
WJSEDR-3.81-XP-1Y-00A