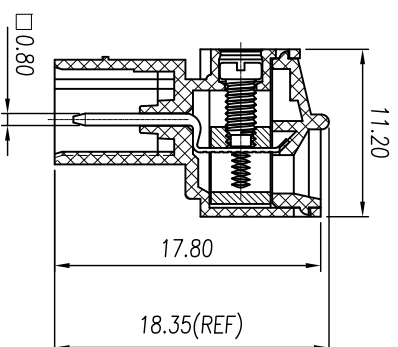
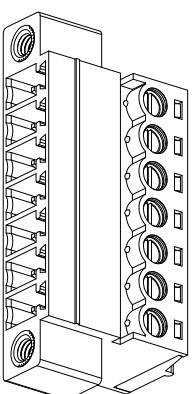
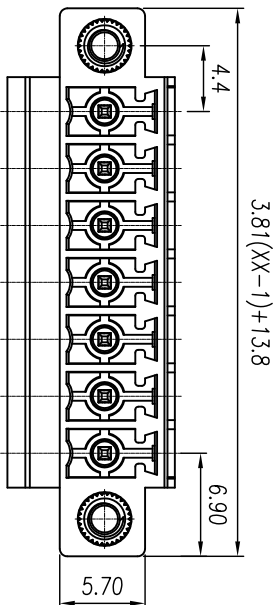
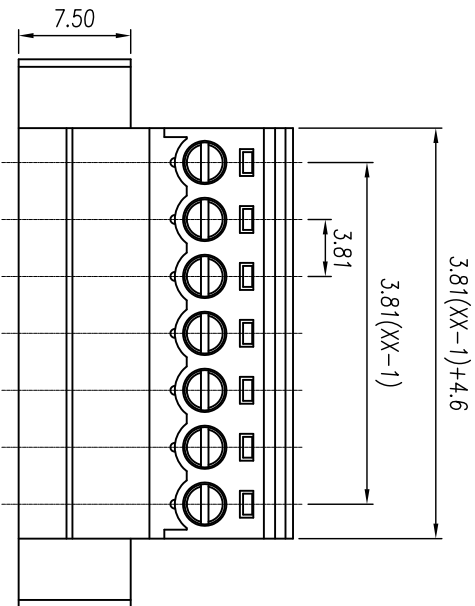
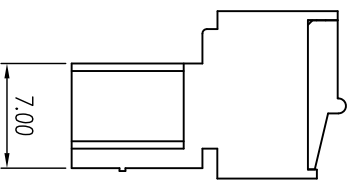
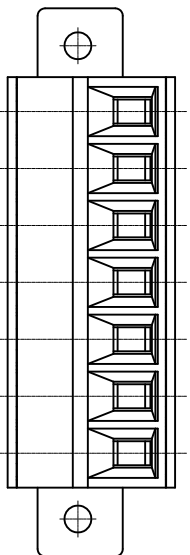




# 慈溪市万捷电子有限公司

## CIXI WANJIE ELECTRONIC CO., LTD

产品规格书  
THE SPEC SHEET



参考标准/Standard	UL	IEC
额定电压/Rated voltage	300V	250V
额定电流/Rated current	8A	10A
接触电阻/Contact resistance	20mΩ	
绝缘电阻/Insulation resistance	500MΩ	DV500V
使用线径/Wire range	28-16AWG	1.5mm <sup>2</sup>
耐电压/With standing voltage	AC 2000V/1 Min	
机械性能/Mechanical		
扭矩/Torque	0.2Nm(1.77lb.in)	
剥线长度/Strip Length	6-7mm	
温度范围/Temp Range	-40°C+105°C	
尺寸/Dimensions		
间距/Pitch	3.81mm	
极数/Poles	2-24p	
材质及电镀/Material	PA66, UL94V-0	
塑料/Housing	M2 Steel, Zn plated	
螺丝/Screws	Brass, Ni plated	
夹子/Clamp	Brass, Ni plated	
方块/Case	M2.5 Brass	
螺母/Nut		

linear dimension	over 6 to 10	over 10 to 18	over 18 to 30	over 30 to 50	over 50 to 80	over 80 to 120	over 120 to 160	over 160 to 200	over 200 to 250	over 250 to 500	over 500 to 1000	over 1000 to 2000	over 2000 to 5000	over 5000 to 10000	over 10000 to 20000	over 20000 to 50000	over 50000 to 100000	over 100000 to 200000	over 200000 to 500000	over 500000 to 1000000
	±0.1	±0.14	±0.19	±0.25	±0.32	±0.43	±0.57	±0.72	±0.88	±1.05	±1.25	0.5	0.025	0.06	0.12	0.4				
tolerance	±0.1	±0.14	±0.19	±0.25	±0.32	±0.43	±0.57	±0.72	±0.88	±1.05	±1.25	0.5	0.025	0.06	0.12	0.4				

单位/UNITS mm 尺寸/SIZE A4 比例/SCALE 2:1

慈溪市万捷电子有限公司 CIXI WANJIE ELECTRONIC CO., LTD

第三视角/THIRD ANGLE PROJECTION  
名称/TITLE WJ15ED3GRN-3.81-XXP-1YY-004